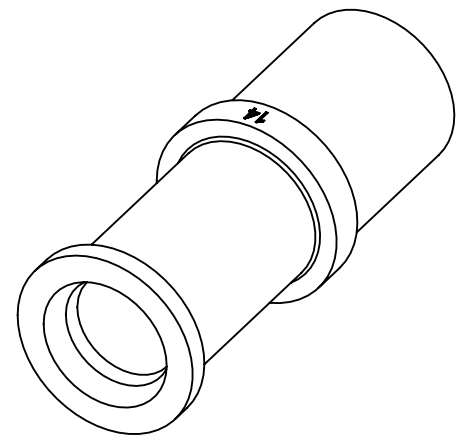



assembly notes see catalog
 crimp zone acc. to DIN EN 46235; indicator 14
 for stranded fine wire acc. to VDE 0295 class 5/IEC 60228 class 5
 wire gauge: 50mm²
 stripping length: 22mm



	All rights reserved Department EL PD	All Dimensions in mm Original Size DIN A4		Scale 2:1	Free size tol.	Ref. Sub.
		Created by HELLMANN	Inspected by NICHTERLEIN	Standardisation SAP_WFRT	Date 2022-10-07	State Final Release
HARTING D-32339 Espelkamp		Title Han TC250 female contact 50mm ²				Doc-Key / ECM-Nr. 100184718/UGD/002/B 500000224832
		Type TB	Number 09 11 000 6228			Rev. B
						Page 1/1