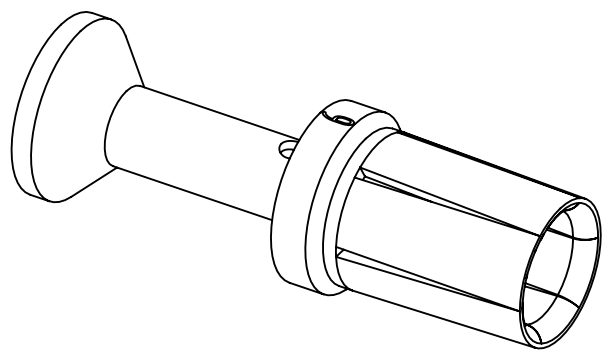


assembly notes see catalog
 crimp zone acc. to DIN EN 46235 indicator 6
 for stranded fine wire acc. to VDE 0295 class 5/ IEC 60228 class 5
 wire gauge: 10mm²
 stripping length: 19mm



	All rights reserved Department EL PD	All Dimensions in mm Original Size DIN A4		Scale 2:1	Free size tol.	Ref. Sub.
		Created by HELLMANN	Inspected by NICHTERLEIN	Standardisation SAP_WFRT	Date 2022-10-11	State Final Release
HARTING D-32339 Espelkamp		Title Han TC100 female contact 10mm ²				Doc-Key / ECM-Nr. 100176613/UGD/002/C 500000223389
		Type TB	Number 09 11 000 6214			Rev. C
						Page 1/1