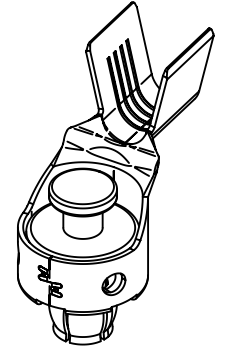
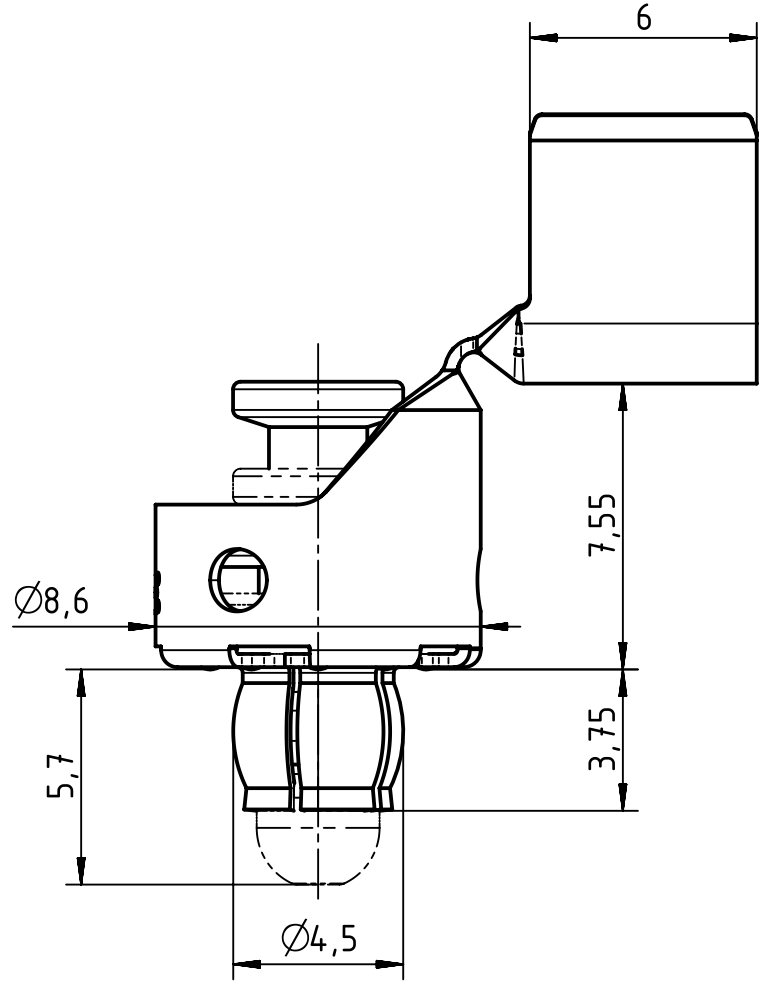
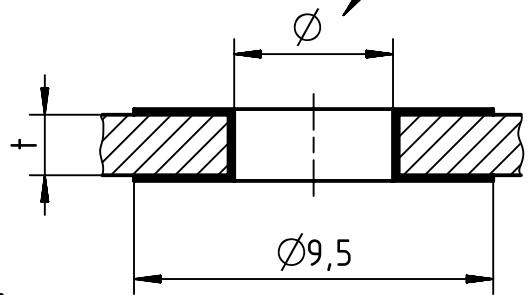



t	∅
1,6-3,2	4,4 ^{+0,05} _{-0,04}

PCB lay-out finished hole



	All rights reserved Department EL PD HARTING Electric GmbH & Co. KG D-32339 Espelkamp	All Dimensions in mm Original Size DIN A4	Scale 5:1	Free size tol.		Ref.
		Created by DEIMEL	Inspected by SCHNIEDER	Standardisation TIEMANNA	Date 2016-03-30	State Final Release
Title Han Fast-Lock 10qmm ang.silverplate.+pin						Doc-Key / ECM-Nr. 100609057/UGD/001/B 500000102451
Type TB		Number 09 08 000 7224			Rev. B	Page 1/1