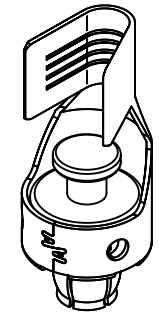
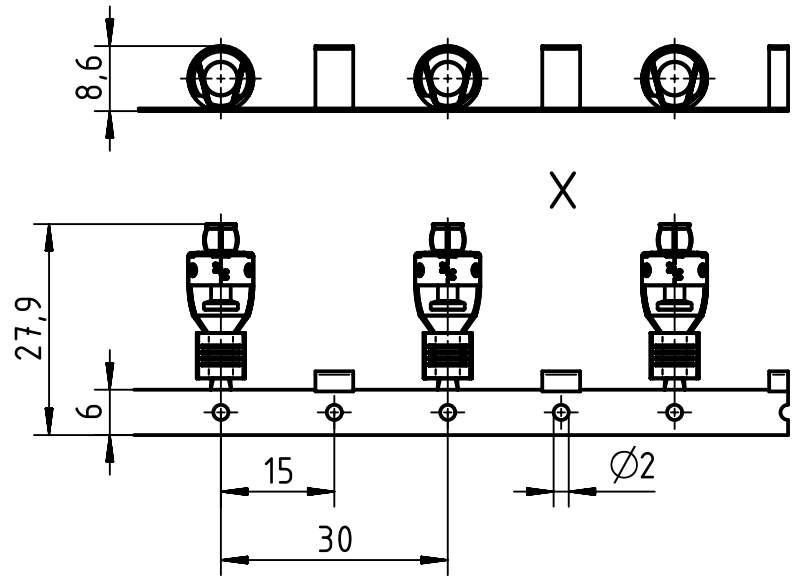
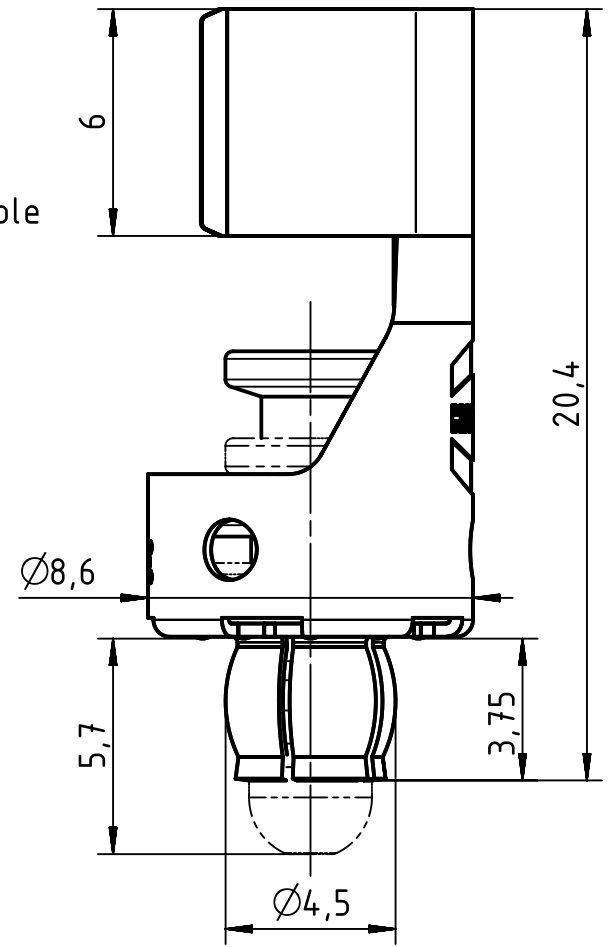
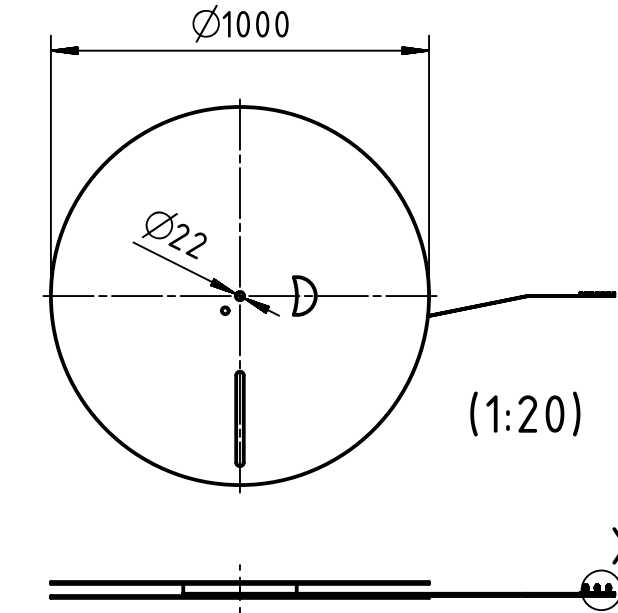
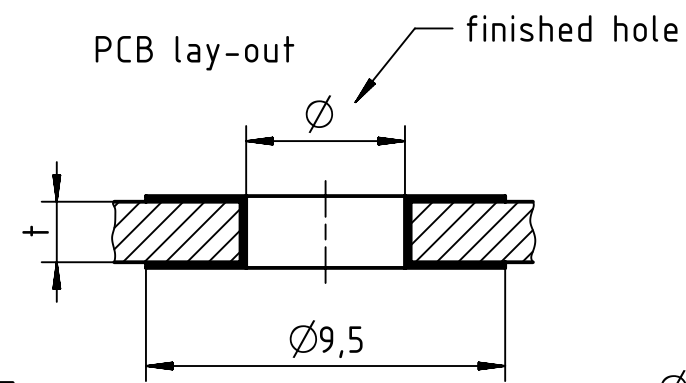


t	Ø
1,6-3,2	4,4 $\begin{matrix} +0,05 \\ -0,04 \end{matrix}$



	All Dimensions in mm Original Size DIN A4		Scale 1:1	Free size tol.		Ref.
	All rights reserved Department EL PD		Created by DEIMEL	Inspected by SCHNIEDER	Standardisation TIEMANNA	Sub.
HARTING Electric GmbH & Co. KG D-32339 Espelkamp			Title Han-Fast Lock 10mm ² m.Pin Ag Ro 2300St.			Date 2016-03-30
			Type TB	Number 09 08 000 6124		State Final Release
						Doc-Key / ECM-Nr. 100230954/UGD/004/D 500000102451
						Rev. D
						Page 1/1