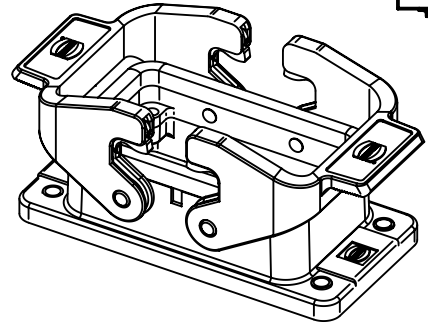


09300101301 XXXXXXXXX

Type 4/12 enclosure

panel cut out (1:2)



	All Dimensions in mm Original Size DIN A4		Scale 1:1	Free size tol.		Ref.	
			Created by ZENGD	Inspected by LUOK	Standardisation TIEMANNA	Date 2018-11-15	State Final Release
All rights reserved Department EL PD		Title <b>Han 10B-Base Panel 2 Levers IP 67</b>				Doc-Key / ECM-Nr. 100519389/UGD/001/D 500000143390	
HARTING Electric GmbH & Co. KG D-32339 Espelkamp		Type TB	Number 09 30 010 1301			Rev. D	Page 1/1