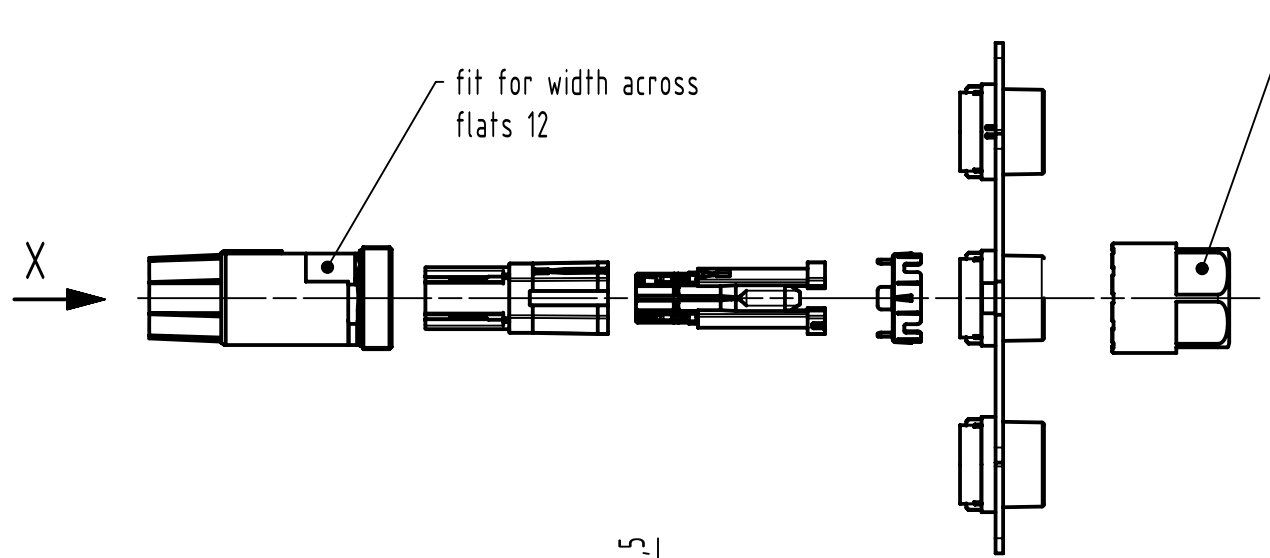


1 2 3 4 5 6

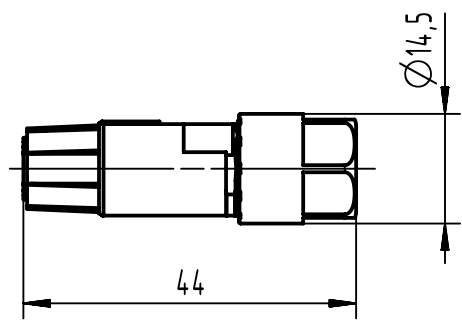
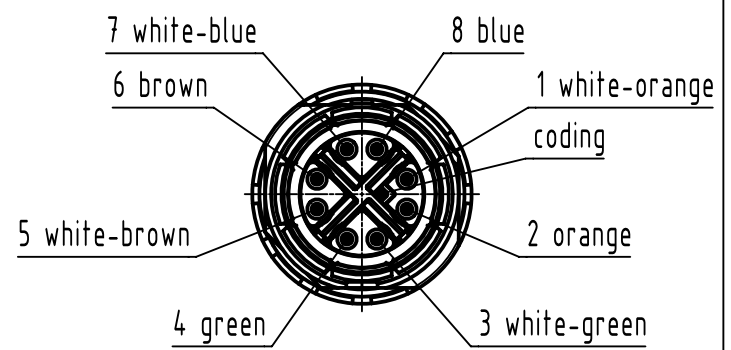
A  
B  
C  
D



fit for width across flats 12

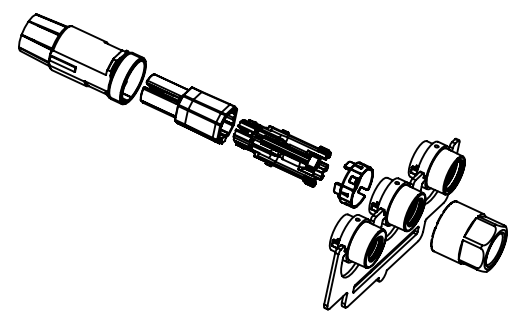
width across flats 13

X (2:1)



order contacts separately

cable ø	wire gauge	part-no.
5,7-8,8mm	AWG 24-28	21 01 100 9023
	AWG 23-26	21 01 100 9021



	All Dimensions in mm Original Size DIN A4		Scale 1:1	Free size tol.		Ref. Sub.		
	All rights reserved Department EL PD		Created by MOELLERLI	Inspected by SCHWARZA	Standardisation	Date 2021-07-16	State Final Release	
HARTING D-32339 Espelkamp			Title Han M12 Crimp X-coded female				Doc-Key / ECM-Nr. 100816315/UGD/001/E 500000199451	
			Type TB	Number 09 14 881 2805			Rev. E	Page 1/1