

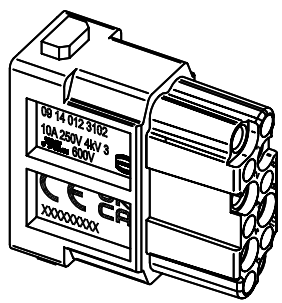
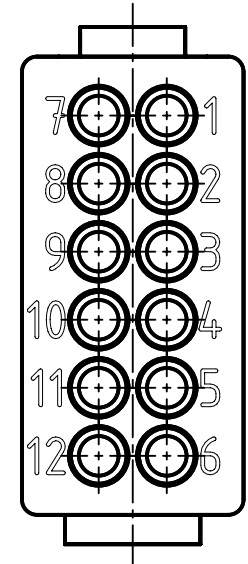
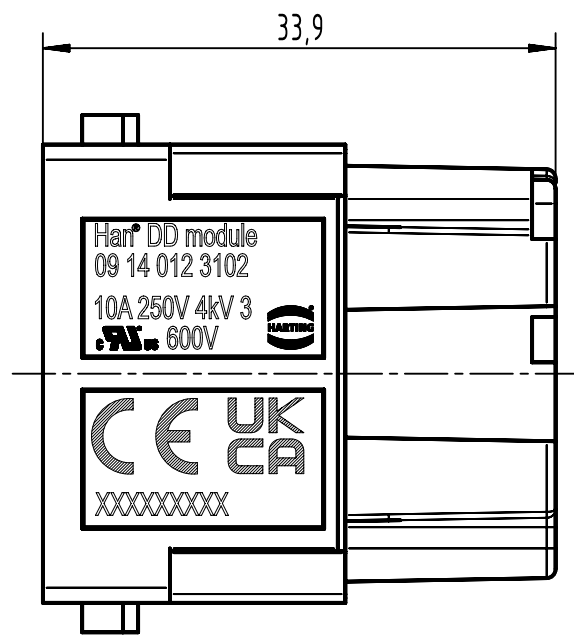
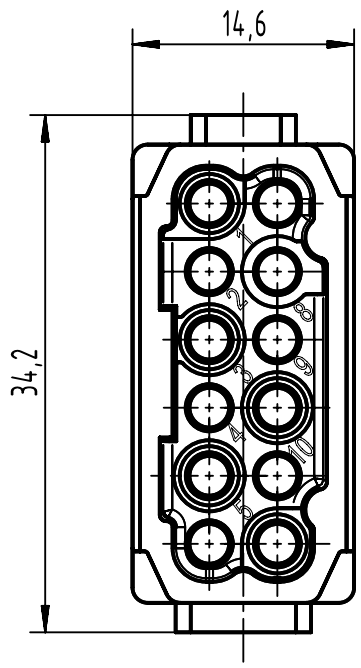
1 2 3 4 5 6

A

B

C

D



	All Dimensions in mm Original Size DIN A4		Scale 2:1	Free size tol.		Ref.
			Created by 100887	Inspected by SUNDERMEIER	Standardisation	Sub.
All rights reserved		Date 2022-11-03		State Final Release		
Department EL PD		Title Han DD module, crimp female				Doc-Key / ECM-Nr. 10063134-3/UGD/001/D 500000229126
HARTING D-32339 Espelkamp		Type TB	Number 09 14 012 3102		Rev. D	Page 1/1