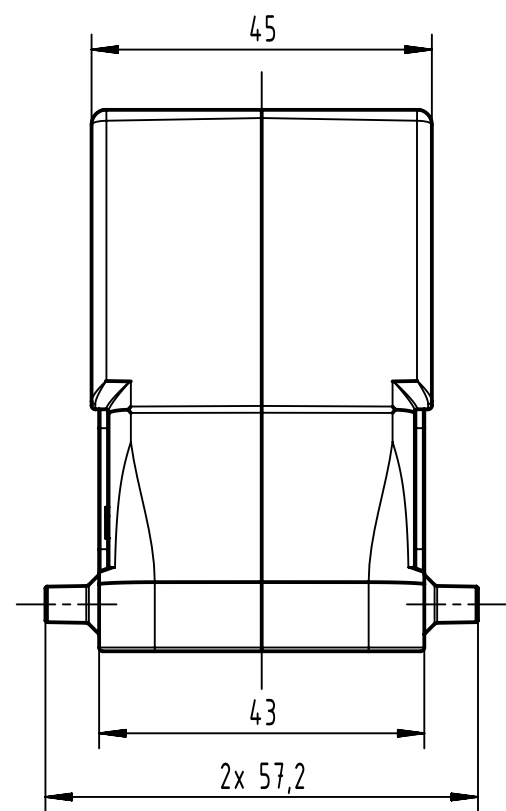
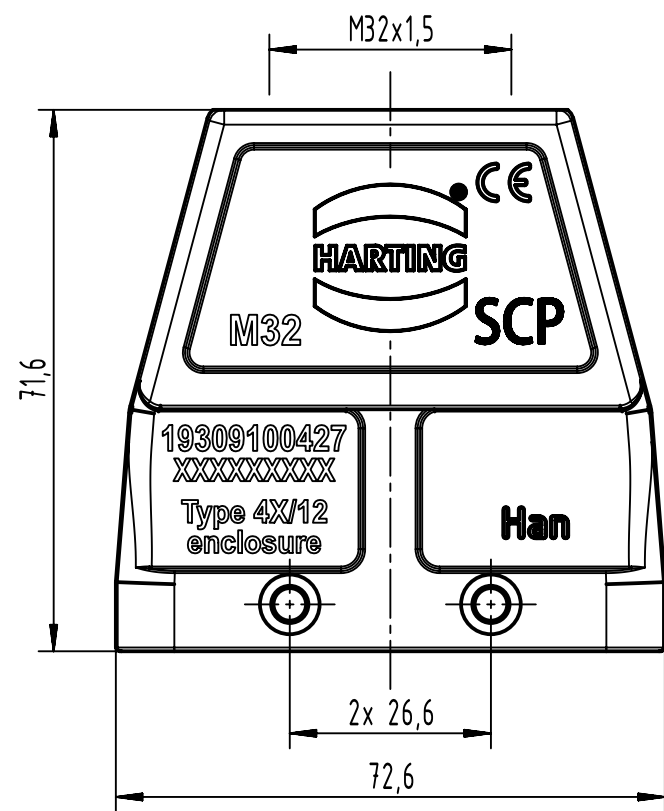
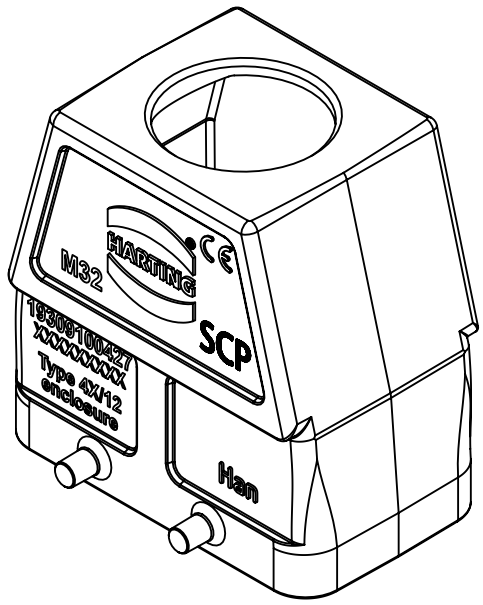


1 2 3 4 5 6

A  
B  
C  
D



	All Dimensions in mm Original Size DIN A4	Scale	Free size tol.		Ref.
		1:1			Sub.
	All rights reserved Department EL PD	Created by	Inspected by	Standardisation	Date
		SHENGJ	WANGSTE	ROEBEN	2022-03-29
HARTING D-32339 Espelkamp		Title			Doc-Key / ECM-Nr. 100989420/UGD/001/B 500000214878
		Han 10B-SCP-HTE-HC-f. DL-M32			
		Type	Number	Rev.	Page
		TB	19 30 910 0427	B	1/1