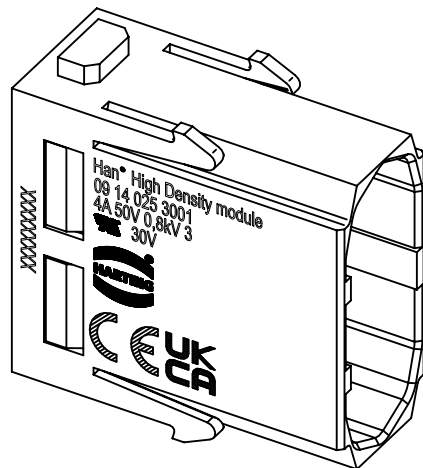
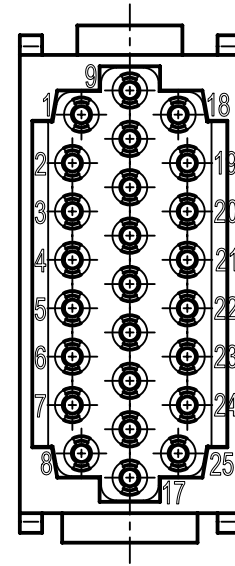
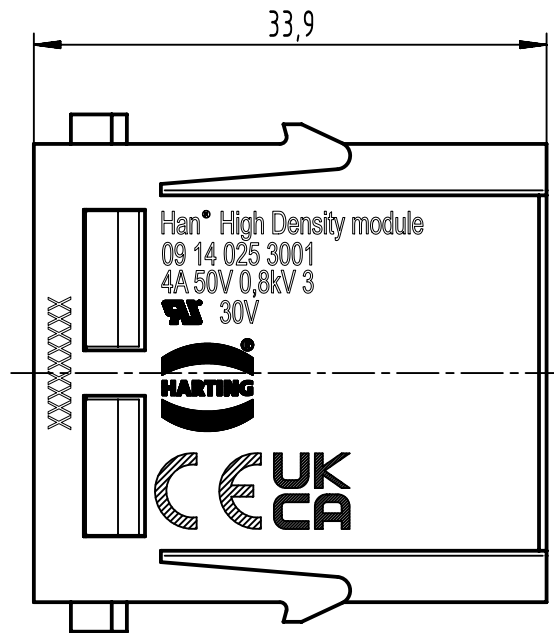
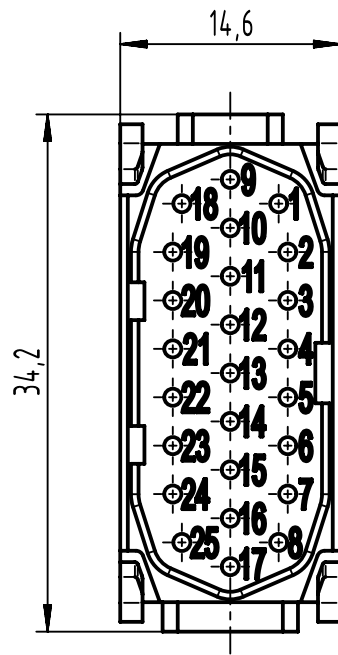


A

B

C

D



	All Dimensions in mm Original Size DIN A4		Scale 2:1	Free size tol.		Ref. Sub. TB 09 14 025 3001 v. 15.10.08	
		All rights reserved Department EL PD	Created by 404270	Inspected by 402602	Standardisation	Date 2024-02-02	State Final Release
Title Han High Density module, crimp male					Doc-Key / ECM-Nr. 100086396/UGD/010/D 500000263117		
HARTING D-32339 Espelkamp			Type TB	Number 09 14 025 3001		Rev. D	Page 1/1