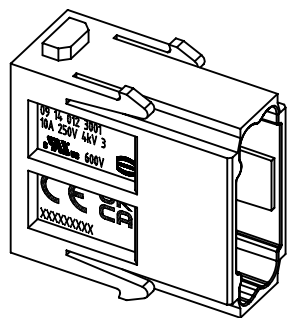
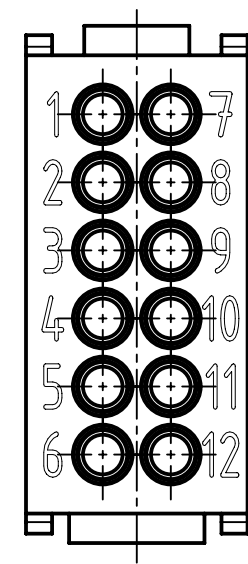
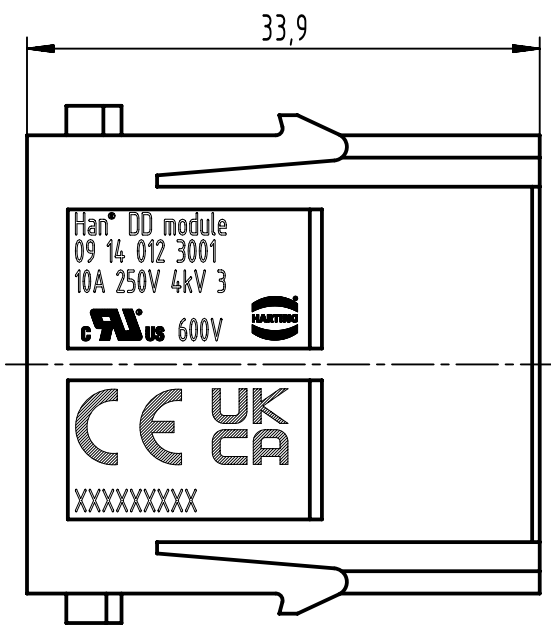
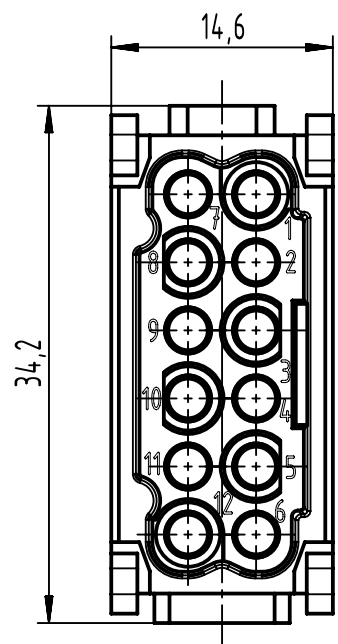


1 2 3 4 5 6

A
B
C
D



	All Dimensions in mm Original Size DIN A4		Scale 2:1	Free size tol.		Ref.		
						Sub.		
	All rights reserved		Created by 100887	Inspected by SUNDERMEIER	Standardisation	Date 2022-11-03	State Final Release	
	Department EL PD		Title Han DD module, crimp male				Doc-Key / ECM-Nr. 100518533/UGD/001/E 500000229126	
HARTING D-32339 Espelkamp			Type TB	Number 09 14 012 3001			Rev. E	Page 1/1