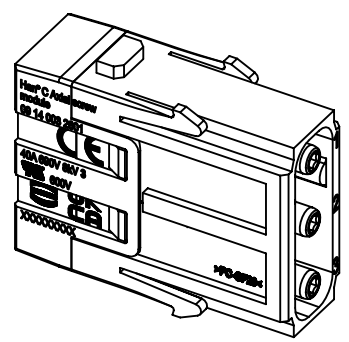
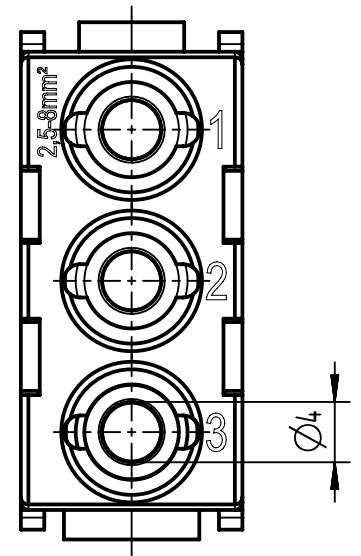
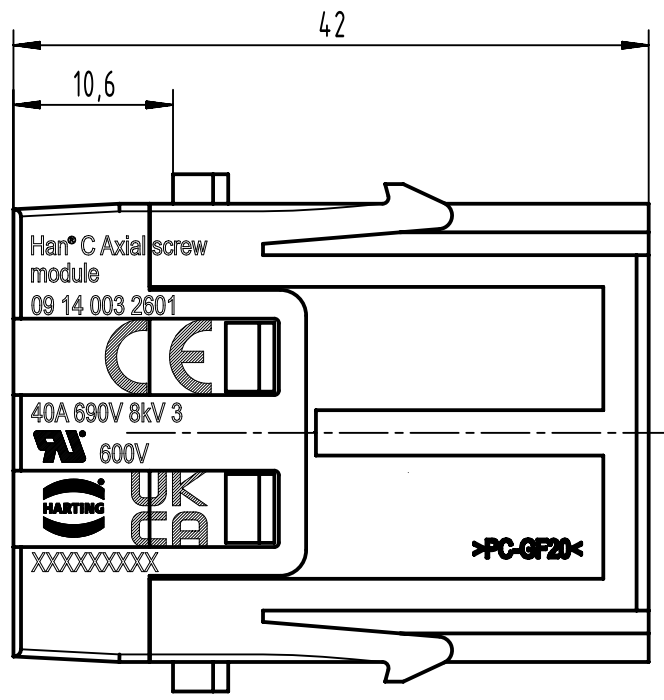
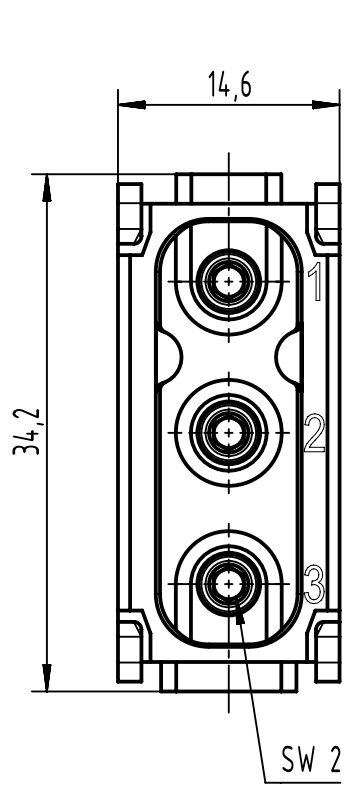


1 2 3 4 5 6

A
B
C
D



for stranded wire 2,5-8mm², AWG 14-8, fine wire

| | | | | | | | |
|------------------------------|--|--|--------------------------|-----------------------|-----------------------------|--|--------------------|
| | All Dimensions in mm Original Size DIN A4 | | Scale 2:1 | Free size tol. | | Ref. Sub. | |
| | | All rights reserved Department EL PD | | Created by HOLLERT | Inspected by SUNDERMEIER | Standardisation | Date 2023-01-20 |
| HARTING D-32339 Espelkamp | | Title Han C axial module, male 2,5-8mm ² | | | | Doc-Key / ECM-Nr. 100169076/UGD/004/E 500000235151 | |
| | | Type TB | Number 09 14 003 2601 | | Rev. E | Page 1/1 | |