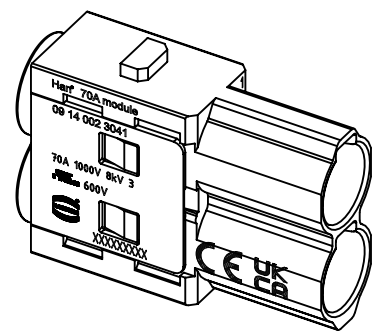
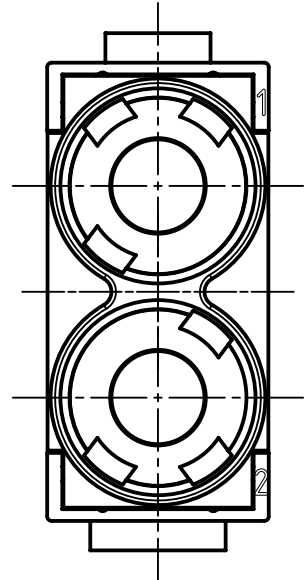
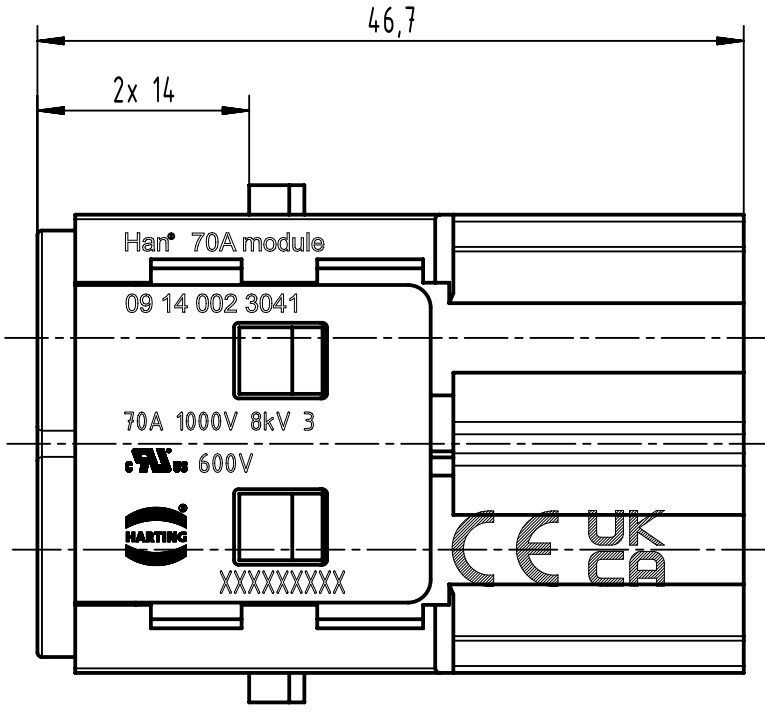
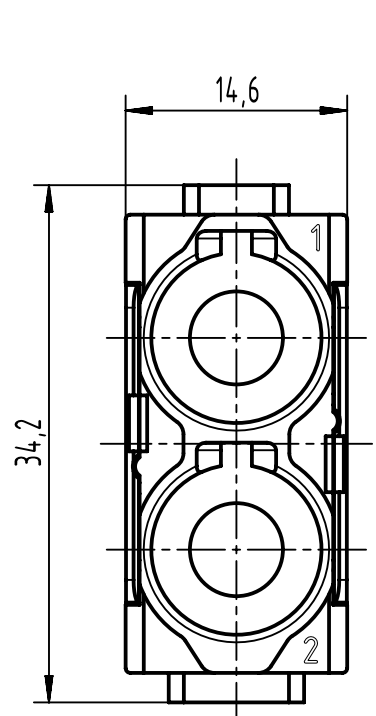


1 2 3 4 5 6

A
B
C
D



	All rights reserved Department EL PD	All Dimensions in mm Original Size DIN A4		Scale 2:1	Free size tol.	Ref.
		Created by HOLLERT	Inspected by SUNDERMEIER	Standardisation	Date 2023-01-11	State Final Release
HARTING D-32339 Espelkamp		Title Han 70A crimp module, male			Doc-Key / ECM-Nr. 1001964.02/UGD/005/H 500000233989	
		Type TB	Number 09 14 002 3041		Rev. H	Page 1/1