

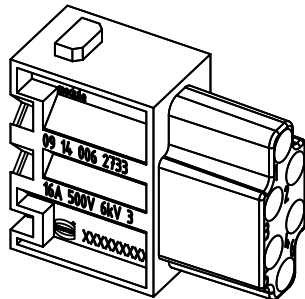
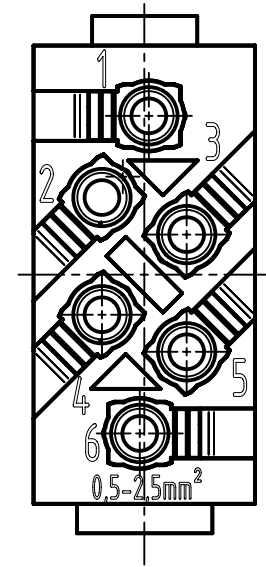
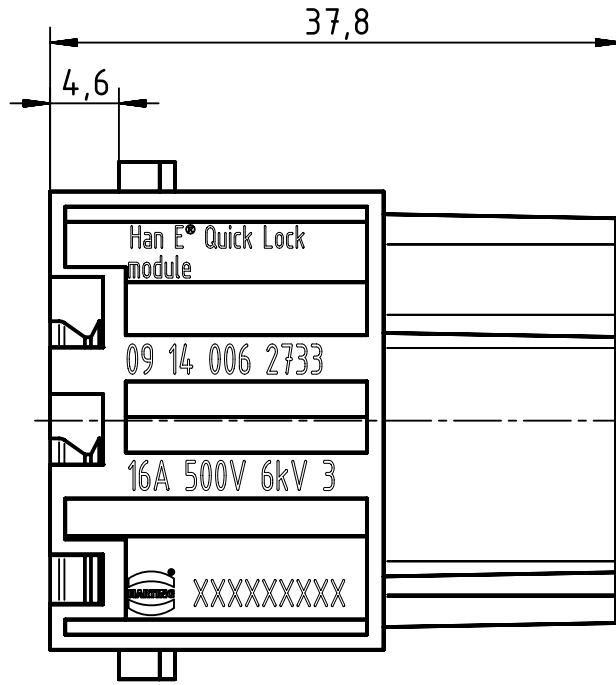
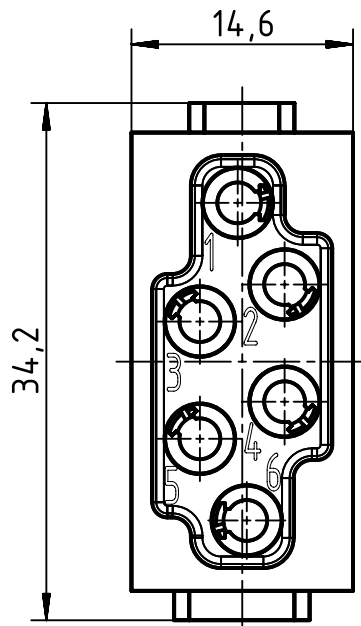
1 2 3 4 5 6

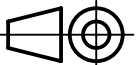

A

B

C

D



 All Dimensions in mm Original Size DIN A4	Scale	Free size tol.		Ref.	
	2:1			Sub.	
 All rights reserved Department EL PD	Created by	Inspected by	Standardisation	Date	State
	SPRENB	RIEPE	RUETERA	2020-01-17	Final Release
HARTING Electric GmbH & Co. KG D-32339 Espelkamp	Title			Doc-Key / ECM-Nr.	
	Han E Quick-Lock module, female			100214192/UGD/005/B 500000164340	
Type		Number		Rev.	Page
TB		09 14 006 2733		B	1/1