

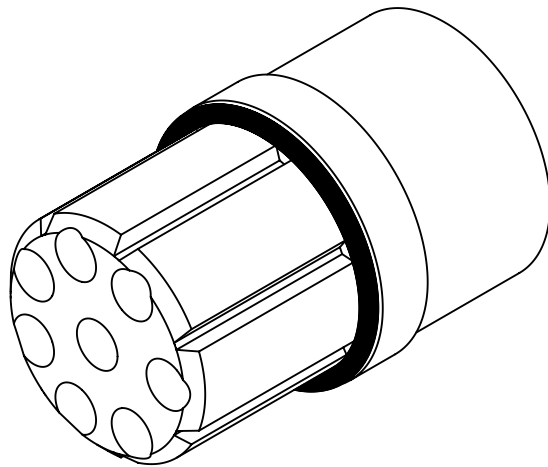
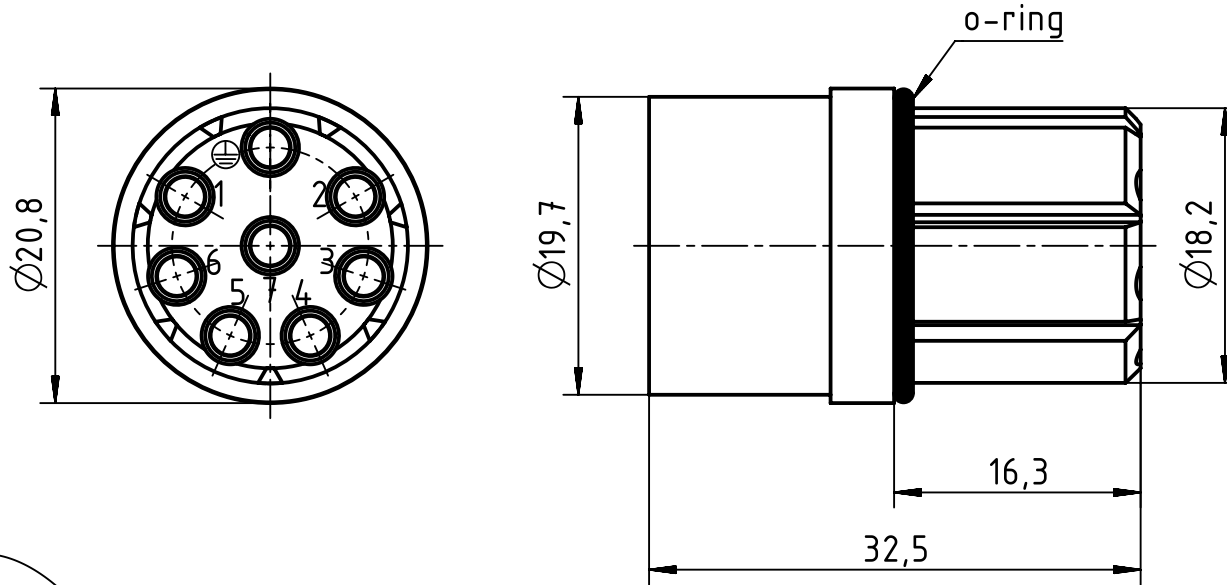
1 2 3 4 5 6


A

B

C

D



	All rights reserved Department EL PD - DE		Created by KLASSENP	Inspected by BERGHORN	Standardisation TIEMANNA	Date 2017-02-28	State Final Release	
	HARTING Electric GmbH & Co. KG D-32339 Espelkamp		Title R 15-7+E-ISK-STI			Doc-Key / ECM-Nr. 100086736/UGD/005/A 500000116211		
			Type TB	Number 09 15 007 3001			Rev. A	Page 1/1