

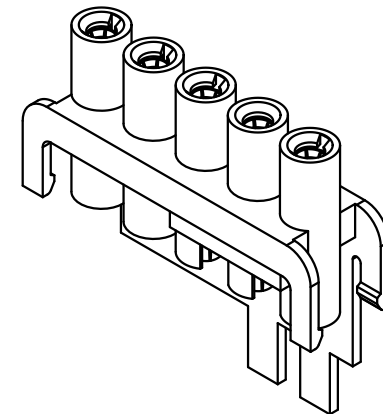
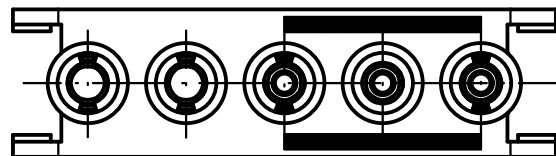
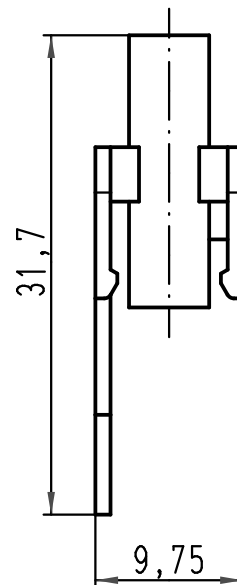
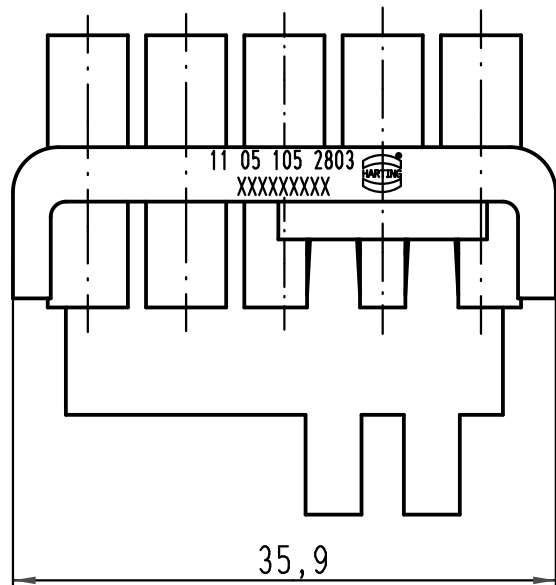
1 2 3 4 5 6



A

B

C

D



| | | | | | | | | |
|---|------|------|---|------------------|------------|---|---|------|
|  All Dimensions in mm Original Size DIN A 4 | | | Techn. Character. | | | Nicht tolerierte Maße! Free size tolerances | | |
| | | | | Dat. 28.04.10 | Name Ho | Maßstab/Scale 2:1 | Buchsenträger 3 gebrückt <i>female insert 3 bridged</i> Han-Yellock | |
| | | | | Insp. | SP | | | |
| | | | | Stand. | | | | |
| | | | | | | | | |
| A | | | HARTING Electric GmbH & Co. KG D-32339 Espelkamp | | | TB 11 05 105 2803 | | |
| Mod. | Dat. | Name |  | | | Blatt/ page | | Sub. |