

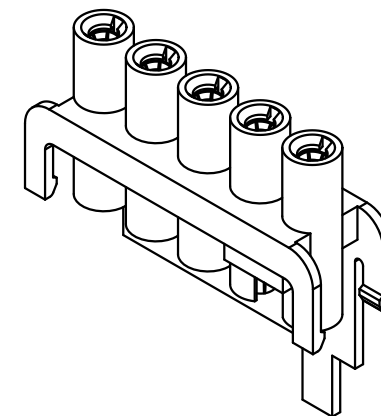
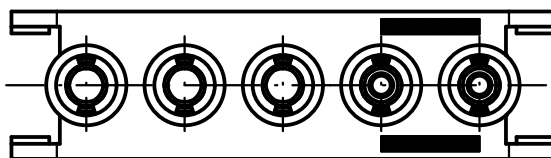
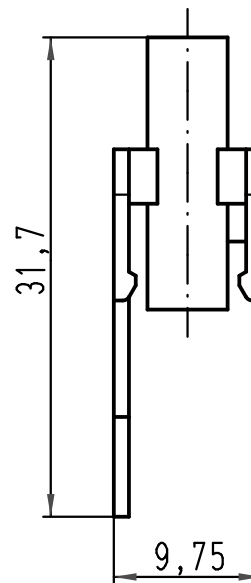
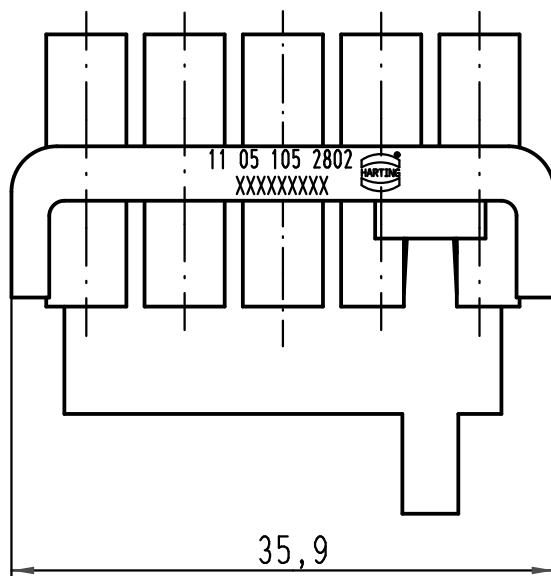
1 2 3 4 5 6

A

B

C

D



|   |                                |          |                   |                             |  |
|---|--------------------------------|----------|-------------------|-----------------------------|--|
| <p>All Dimensions in mm<br/>Original Size DIN A 4</p> | Techn. Character.              |          |                   | Maßstab/Scale<br><b>2:1</b> | Nicht tolerierte Maße/ Free size tolerances                                      |
|   |                                | Dat.     | Name              |                             |  |
|   | Detail.                        | 28.04.10 | Ho                |                             | <b>Buchsenträger 2 gebrückt</b><br><b>female insert 2 bridged</b><br>Han-Yellock |
|   | Insp.                          |          | SP                |                             |  |
|   | Stand.                         |          |                   |                             |  |
| A   | HARTING Electric GmbH & Co. KG |          |                   |                             | <b>TB 11 05 105 2802</b>   |
| Mod.  | Dat.                           | Name     | D-32339 Espelkamp |                             |  |
|   |                                |          |                   |                             | Blatt/ page  |
|   |                                |          |                   |                             | Sub.   |