

1 2 3 4 5 6

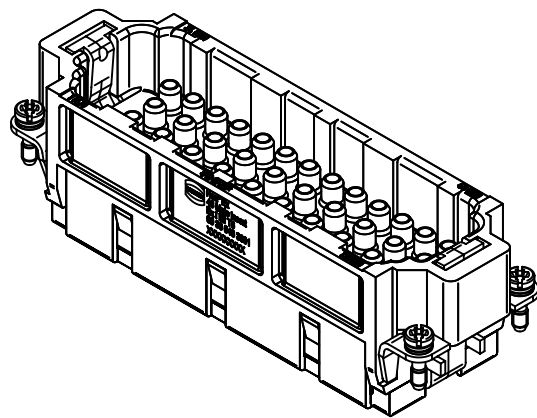
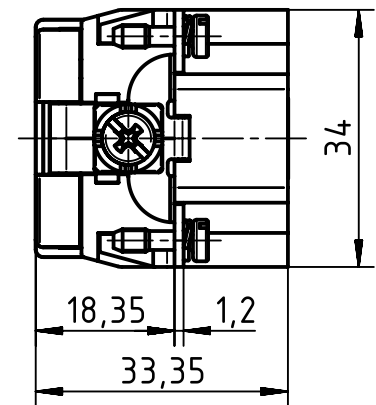
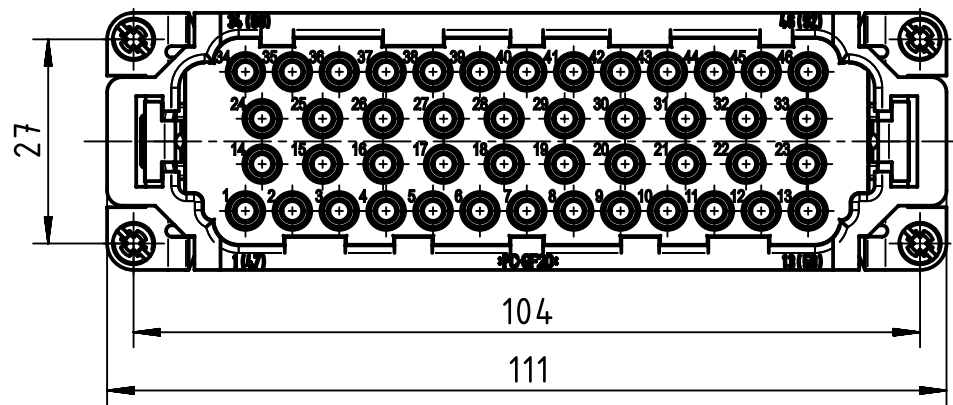
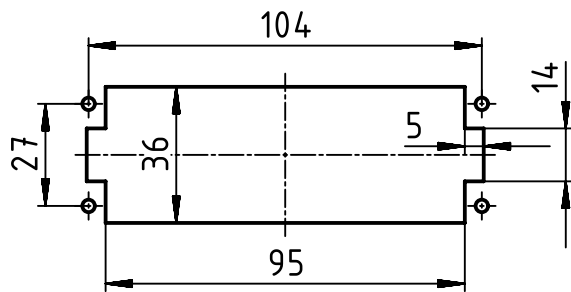
A

B

C

D

panel cut out (1:2)



| | | | | | | |
|-----------------------|---|--|--------------------------|-----------------------------|--|------------------------|
| | All rights reserved Department EL PD - DE HARTING Electric GmbH & Co. KG D-32339 Espelkamp | All Dimensions in mm Original Size DIN A4 | | Scale 1:1 | Free size tol. | Ref. Sub. |
| | | Created by HOLLERT | Inspected by RIEPE | Standardisation SCHMIDTM | Date 2015-05-22 | State Final Release |
| Title Han 46Ex-M-c | | | | | Doc-Key / ECM-Nr. 100621021/UGD/001/A 500000084854 | |
| Type TB | | | Number 09 36 046 3001 | | Rev. A | Page 1/1 |