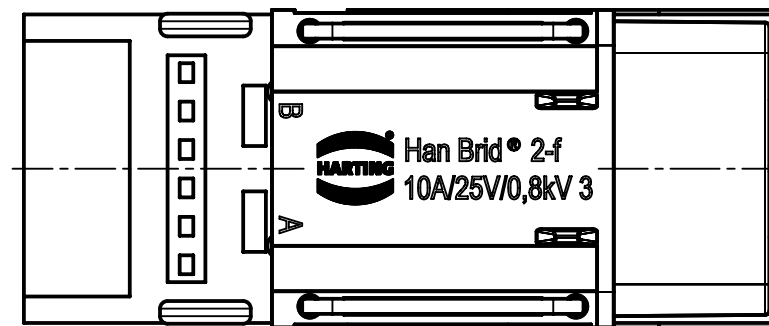
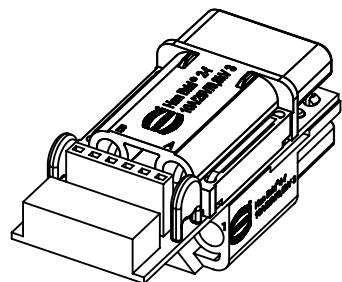


countersunk screw  
M3x6 enclosed separately



mass: elektronick ground  
shielding: capacitive termination  
of the shielding  
towards the electronic ground  
data  
A,B:

signal	mass	shielding	A	B
IDC	3,4,7,8	1,2,9,10	6	5
board stacker	2,5	1,6	4	3



	All Dimensions in mm Original Size DIN A4		Scale 2:1	Free size tol.		Ref.	
	All rights reserved Department EL PD - DE		Created by RULLKOETTER	Inspected by BERGHORN	Standardisation RUETERA	Date 2018-01-22	State Final Release
HARTING Electric GmbH & Co. KG D-32339 Espelkamp		Title Han Brid-bu-c + Cu-Bus-Modul-bu-c (G)				Doc-Key / ECM-Nr. 100132583/UGD/005/B 500000130161	
		Type TB	Number 09 12 006 2701			Rev. B	Page 1/1