

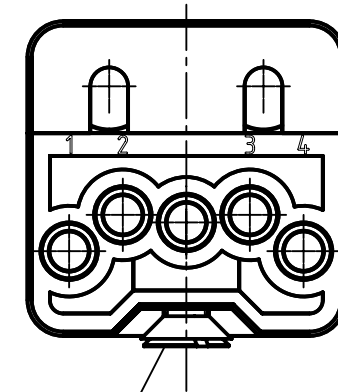
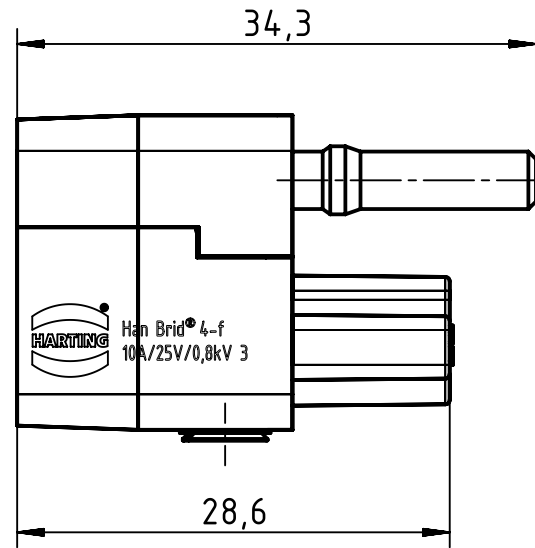
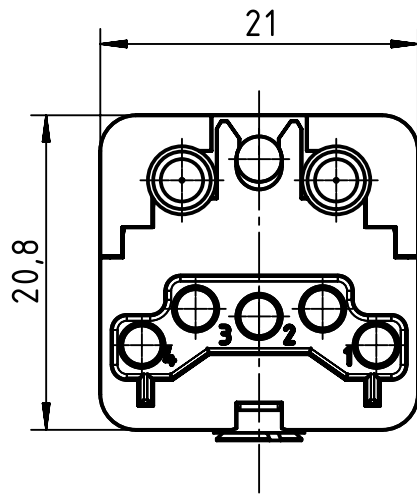
1 2 3 4 5 6

A

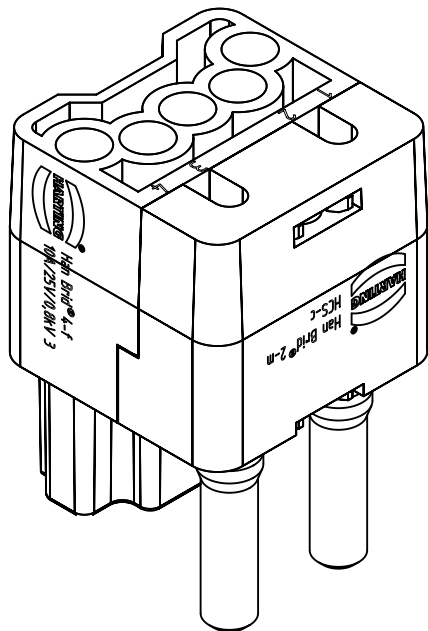
B


C

D



countersunk screw M3x6  
enclosed separately



	All rights reserved Department EL PD	All Dimensions in mm Original Size DIN A4		Scale 2:1	Free size tol.	Ref. Sub.
		Created by SPRENB	Inspected by BERGHORN	Standardisation GARSKE	Date 2019-01-23	State Final Release
HARTING Electric GmbH & Co. KG D-32339 Espelkamp		Title Han 4Brid-F-c + 2LWL-M-HCS-c (K)			Doc-Key / ECM-Nr. 100205823/UGD/004/C 500000145807	
		Type TB	Number 09 12 004 2716		Rev. C	Page 1/1