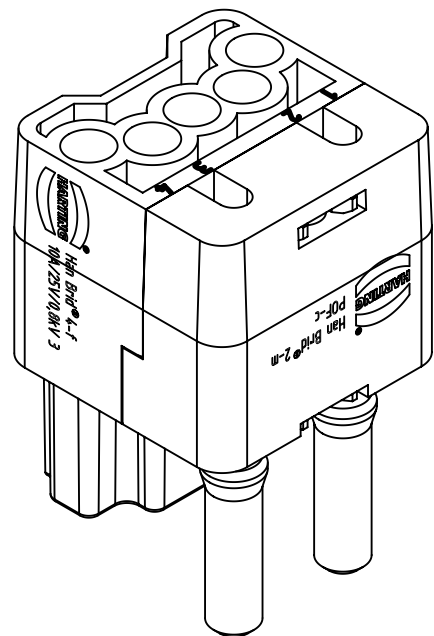


countersunk screw M3x6
enclosed separately



	All Dimensions in mm Original Size DIN A4		Scale 2:1	Free size tol.		Ref.
						Sub.
	All rights reserved		Created by SPRENB	Inspected by BERGHORN	Standardisation GARSKE	Date 2019-01-23
	Department EL PD		Title Han Brid-bu-c + 2LWL-Sti-c (K)			State Final Release
HARTING Electric GmbH & Co. KG D-32339 Espelkamp			Type TB	Number 09 12 004 2711		Doc-Key / ECM-Nr. 100205819/UGD/004/C 500000145807
					Rev. C	Page 1/1