

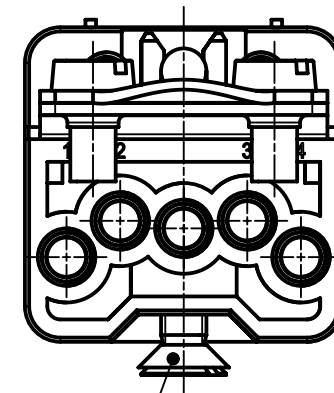
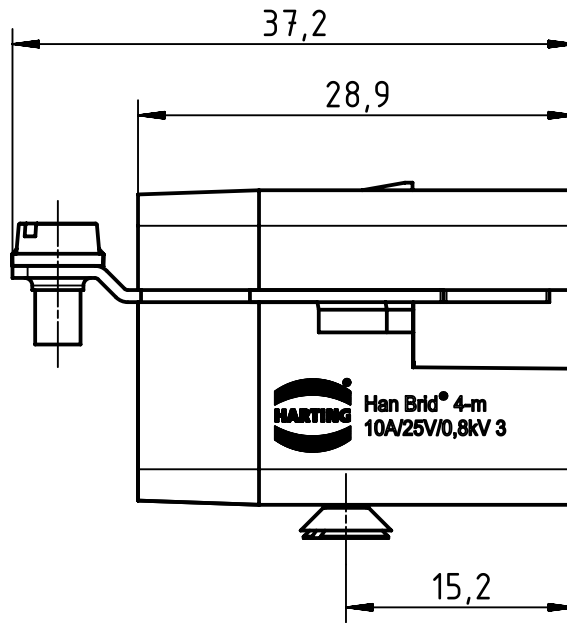
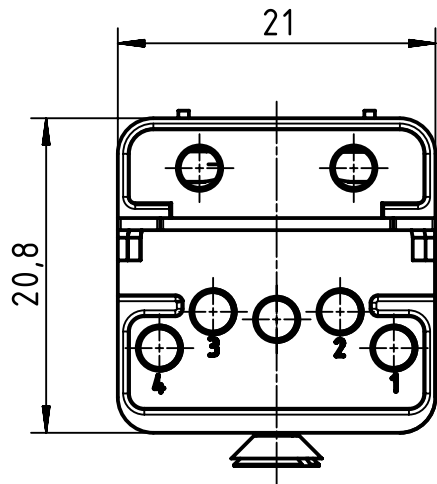
1 2 3 4 5 6

A

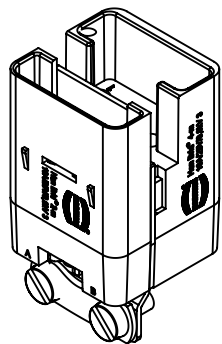
B

C

D



countersunk screw M3x6  
enclosed separately



	All Dimensions in mm Original Size DIN A4		Scale 2:1	Free size tol.		Ref.
						Sub.
	All rights reserved		Created by RULLKOETTER	Inspected by RIEPE	Standardisation RUETERA	Date 2017-10-04
	Department EL PD - DE					State Final Release
HARTING Electric GmbH & Co. KG D-32339 Espelkamp			Title Han Brid-M-c + CU-Bus-M-c _Kabelseite_			Doc-Key / ECM-Nr. 100205818/UGD/004/B 500000126086
			Type TB	Number 09 12 006 3001		Rev. B Page 1/1