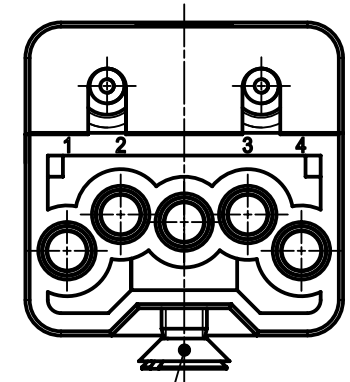
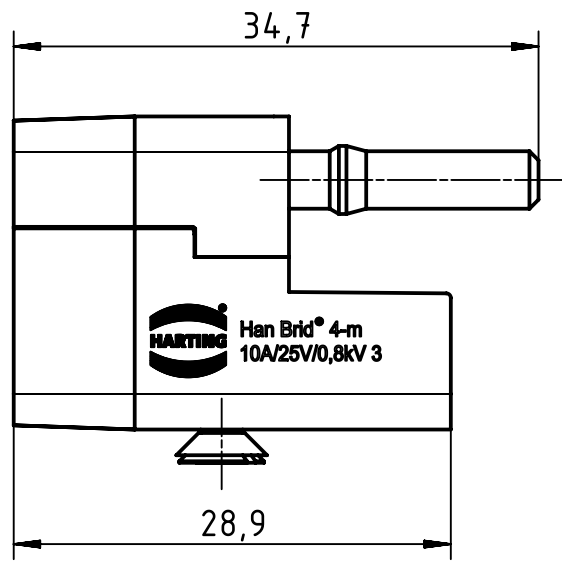
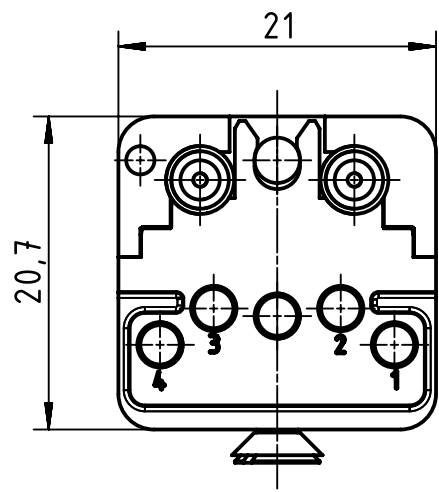
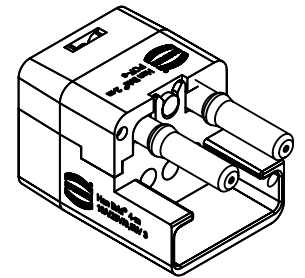



1 2 3 4 5 6

A
B
C
D



countersunk screw M3x6
enclosed separately



	All rights reserved Department EL PD - DE	All Dimensions in mm Original Size DIN A4		Scale 2:1	Free size tol.	Ref.
		Created by RULLKOETTER	Inspected by RIEPE	Standardisation RUETERA	Date 2017-10-04	State Final Release
HARTING Electric GmbH & Co. KG D-32339 Espelkamp		Title Han Brid-Sti-c + 2LWL-Sti-c (K)			Doc-Key / ECM-Nr. 100205816/UGD/004/A 500000126086	
		Type TB	Number 09 12 004 2601		Rev. A	Page 1/1