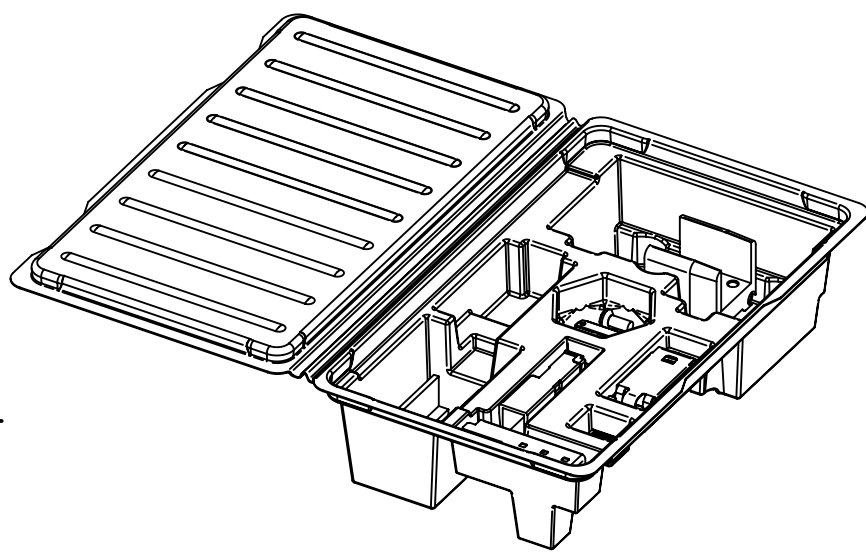


A

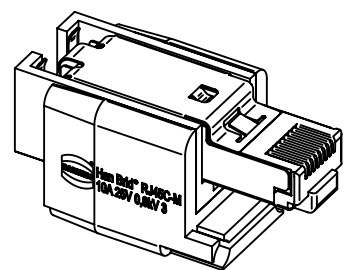
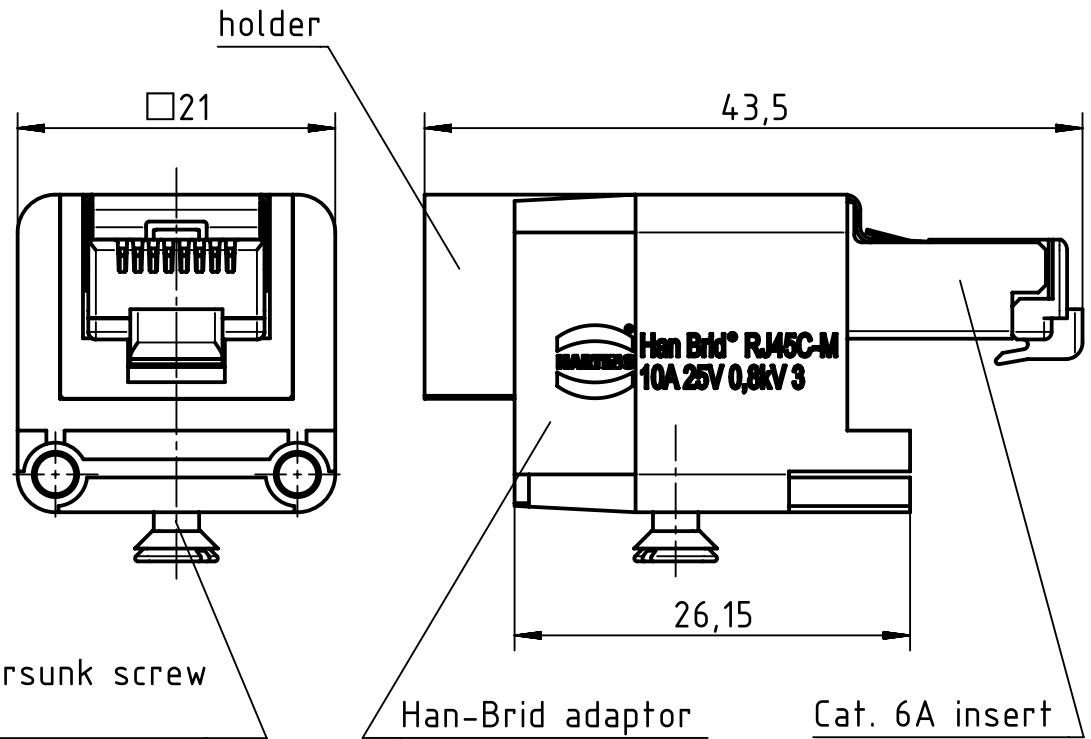
B

C

D



individual parts packed in blister



| | | | | | | |
|-----------------------------------------------------|----------------------------------------------|-------------------------------------------------|--------------------------|-----------------------|-----------------------------|------------------------------------------------------------|
| | All Dimensions in mm Original Size DIN A4 | | Scale 2:1 | Free size tol. | | Ref. |
| | | | Created by HOLLERT | Inspected by RIEPE | Standardisation TIEMANNA | Sub. |
| All rights reserved Department EL PD - DE | | Title Han-Brid RJ45C-M-RJ Industrial Cat. 6A | | Date 2015-07-02 | State Final Release | Doc-Key / ECM-Nr. 100627644 / UGD/001/A 500000090131 |
| HARTING Electric GmbH & Co. KG D-32339 Espelkamp | | Type TB | Number 09 12 003 3016 | | Rev. A | Page 1/1 |