

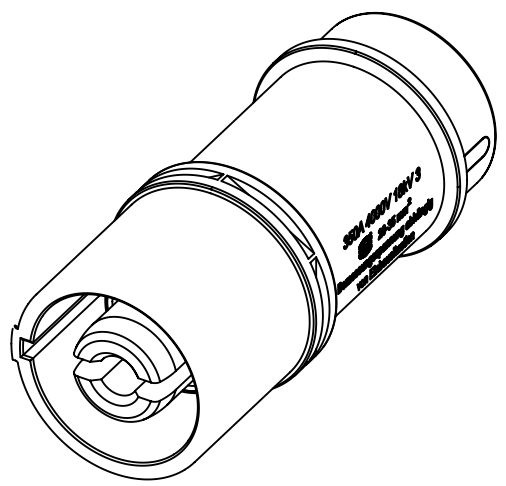
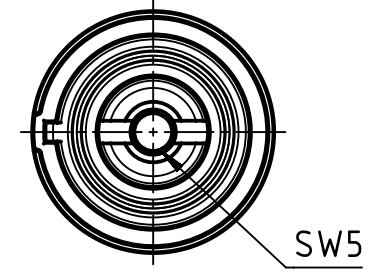
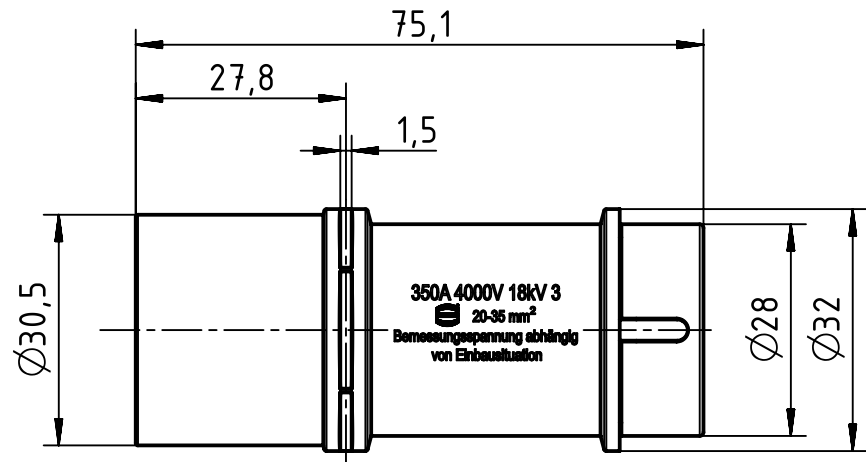
1 2 3 4 5 6

A

B

C

D



wire gauge	
20-35 mm ²	AWG 4-2

All Dimensions in mm Original Size DIN A4	Scale	Free size tol.			Ref.	
	1:1				Sub.	
All rights reserved Department EL PD	Created by	Inspected by	Standardisation	Date	State	
	RULLKOETTER	SCHNIEDER	RUETERA	2018-02-16	Final Release	
HARTING Electric GmbH & Co. KG D-32339 Espelkamp	Title				Doc-Key / ECM-Nr. 100085555/UGD/005/A 500000131413	
	Han 1HC-sti-AX (350A,20-35mm ²)					
Type		Number			Rev.	Page
TB		09 11 001 2650			A	1/1