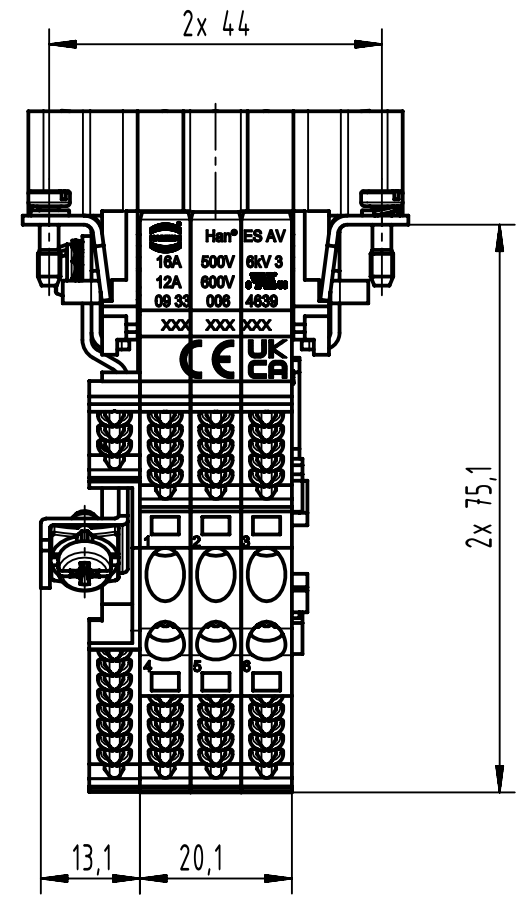
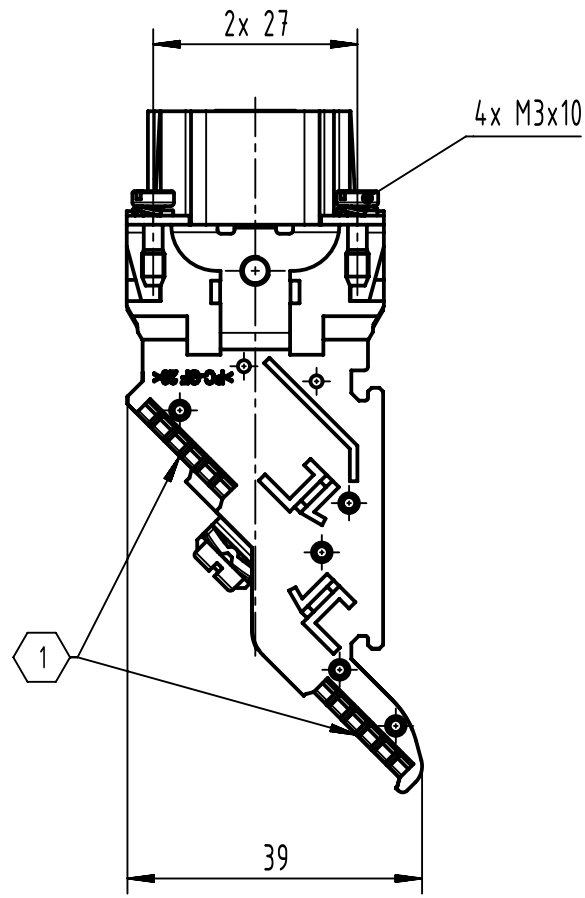
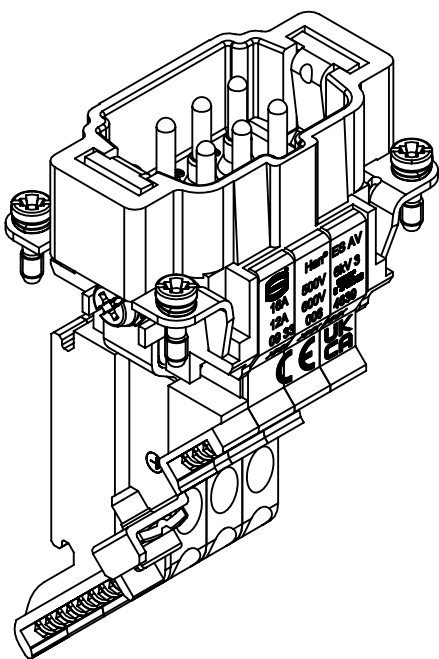


1 2 3 4 5 6

A
B
C
D



1 Slots for designation strips (max. 6 digits)

	All rights reserved Department EL PD	All Dimensions in mm Original Size DIN A4		Scale 1:1	Free size tol.		Ref. Sub.		
		Created by LUPU	Inspected by 402602	Standardisation	Date 2022-11-25	State Final Release			
HARTING D-32339 Espelkamp		Title Han ES AV Pos. 6 Insert Term. Block righ					Doc-Key / ECM-Nr. 100129921/UGD/006/D 500000231226		
		Type TB	Number 09 33 006 4639			Rev. D	Page 1/1		