

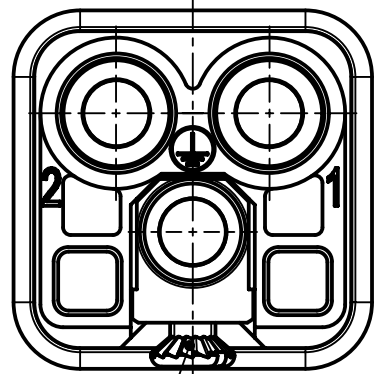
1 2 3 4 5 6

A

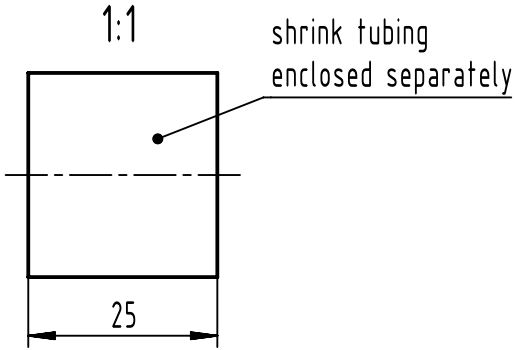
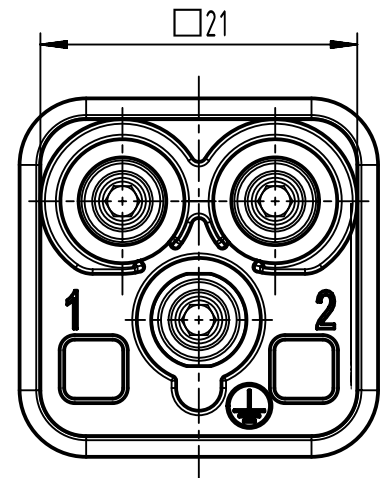
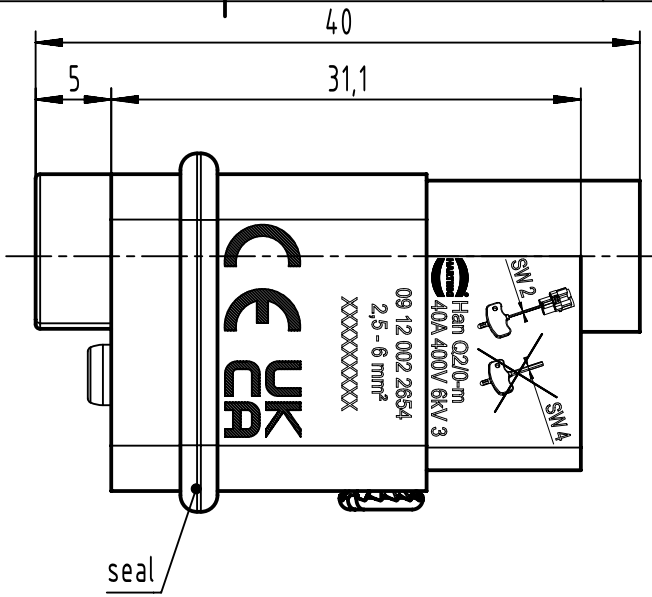
B

C

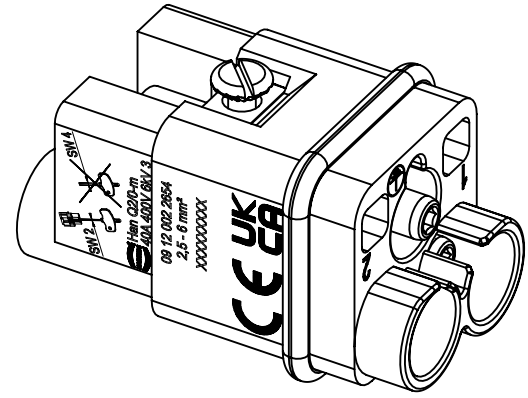
D



insert fixing screw M3x6 enclosed separately



shrink tubing enclosed separately



	All Dimensions in mm Original Size DIN A4		Scale 2:1	Free size tol.		Ref.
			Created by 100887	Inspected by SUNDERMEIER	Standardisation	Sub.
All rights reserved Department EL PD		Title <b>Han Q 2/0-sti HV 2,5-6 mm<sup>2</sup></b>			Date 2022-10-28	State Final Release
HARTING D-32339 Espelkamp		Type TB Number 09 12 002 2654			Doc-Key / ECM-Nr. 100177395/UGD/005/B 500000225850	Rev. B Page 1/1