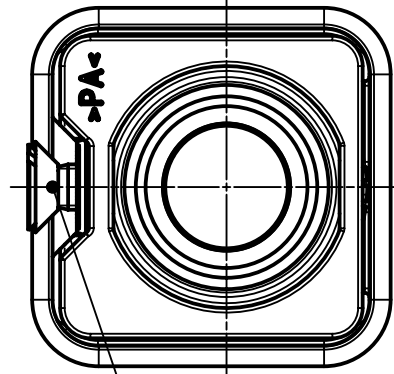
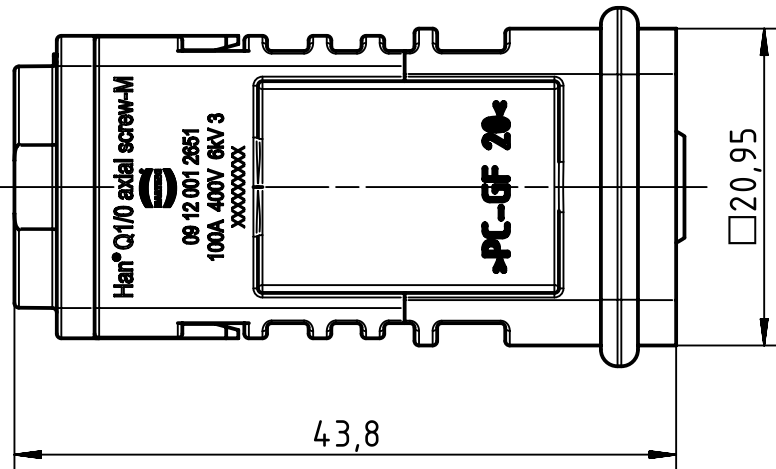


1:1

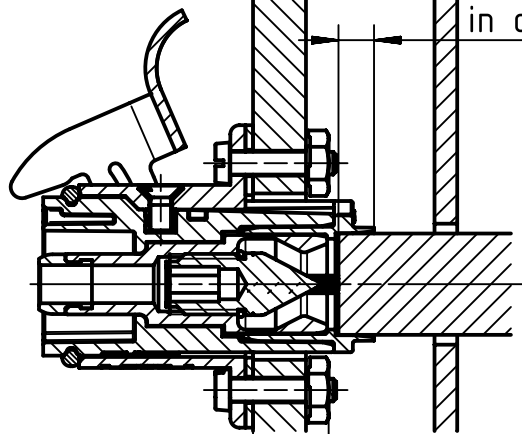
For installation into a housing bulkhead mounting



insert fixing screw M3x6 enclosed separately

Minimum distance to the nearest metal component 24

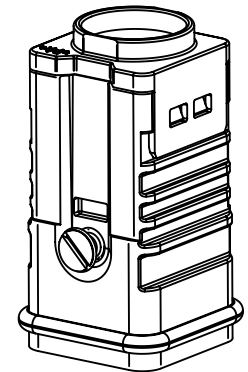
cable insulation insert in connector min. 4,7

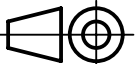



Maximum wall thickness (incl. fastening elements) for male insert 10

max. cable outer diameter 13,4mm
 wire gauge: 16-25mm²
 stripping length: 10mm

Contact the technical support for more questions



| | | | | | |
|--|---------------------------------|----------------------------|-----------------------------|--------------------|--|
|  All Dimensions in mm Original Size DIN A4 | | Scale 2:1 | Free size tol. | | Ref. Sub. |
|  All rights reserved Department EL PD - DE | Created by WULF | Inspected by LOETKEMANN | Standardisation TIEMANNA | Date 2017-02-24 | State Final Release |
| | Title Han Q1/0-M-axial screw | | | | Doc-Key / ECM-Nr. 100644314/UGD/001/F 500000116115 |
| HARTING Electric GmbH & Co. KG D-32339 Espelkamp | | Type TB | Number 09 12 001 2651 | | Rev. F |
| | | | | | Page 1/1 |