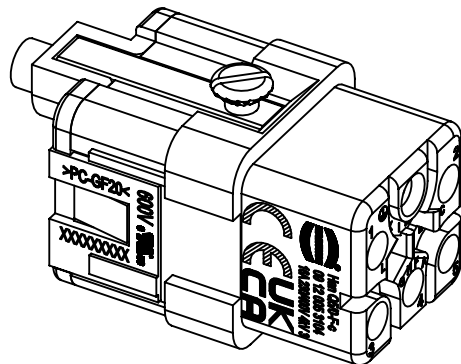
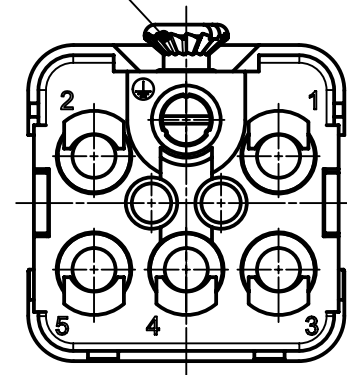


countersunk-head screw M3x6,  
enclosed separately



	All Dimensions in mm Original Size DIN A4	Scale	Free size tol.		Ref.
		2:1			Sub.
	All rights reserved Department EL PD	Created by	Inspected by	Standardisation	Date
		BALSAN	408654		2023-07-04
HARTING D-32339 Espelkamp		Title			Doc-Key / ECM-Nr. 100692591/UGD/000/B 500000248915
		Han Q 5/0-F-c with coding			
		Type	Number	Rev.	Page
		TB	09 12 005 3104	B	1/1