

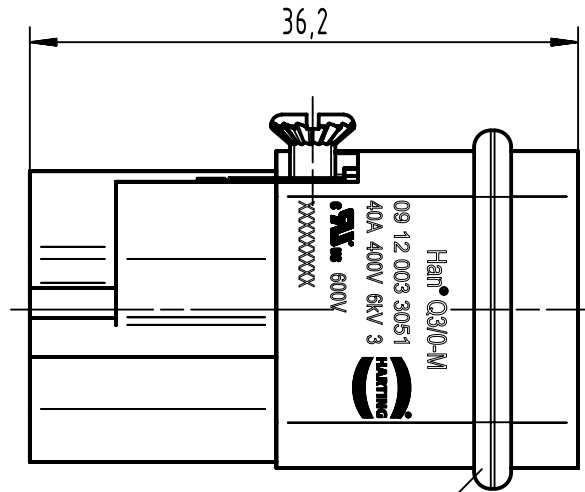
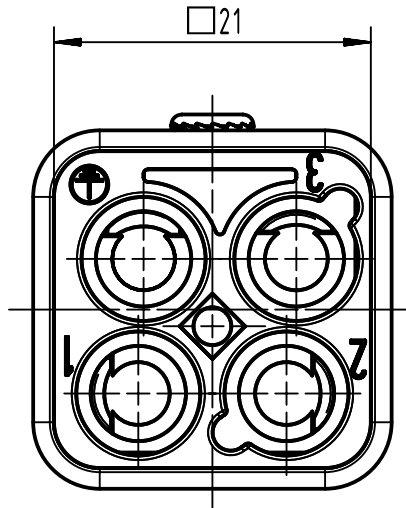
1 2 3 4 5 6

A

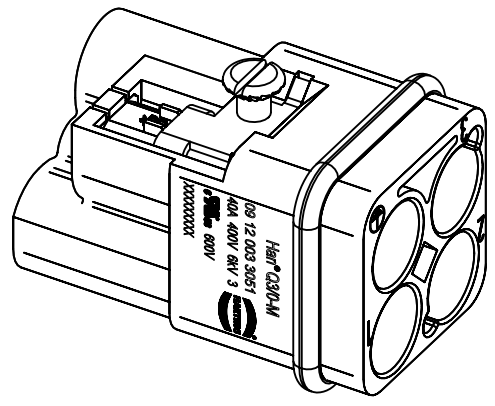
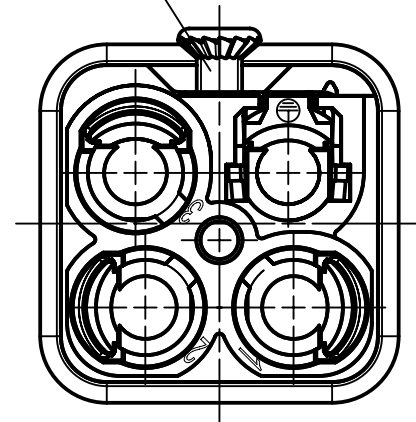
B

C

D



Insert fixing screw
separately enclosed



stripping length 10 mm² (AWG 8) = 12 mm

	All Dimensions in mm Original Size DIN A4		Scale 2:1	Free size tol.		Ref.
			Created by HELLMANN	Inspected by NICHTERLEIN	Standardisation	Sub.
All rights reserved Department EL PD		Title Han Q3/0 -M- Crimp		Date 2021-09-23		State Final Release
HARTING D-32339 Espelkamp		Type TB		Number 09 12 003 3051		Doc-Key / ECM-Nr. 100221450/UGD/002/G 500000202940
					Rev. G	Page 1/1