

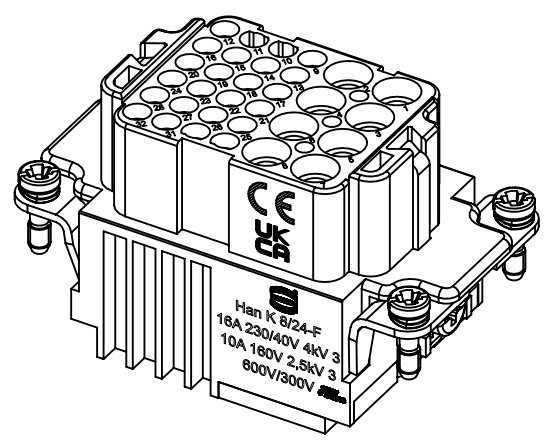
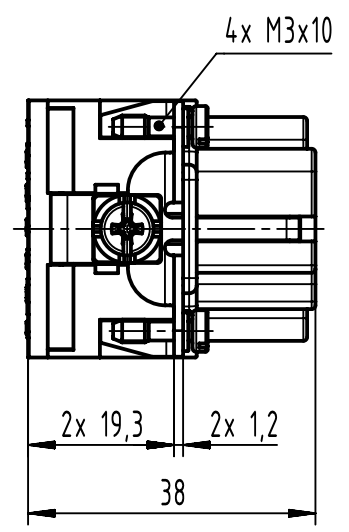
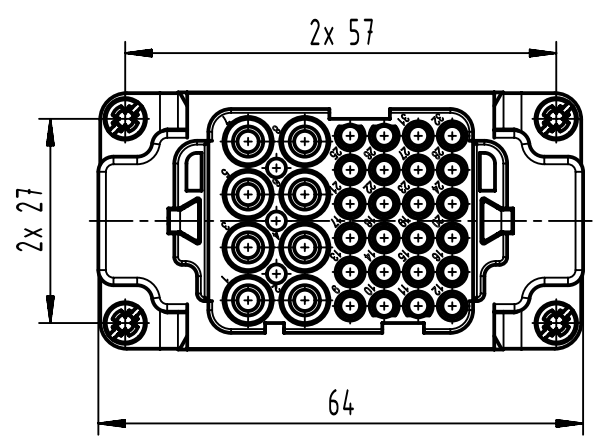
1 2 3 4 5 6

A

B

C

D



	All Dimensions in mm Original Size DIN A4		Scale 1:1	Free size tol.		Ref.	
			Created by BALSAN	Inspected by 402602	Standardisation	Date 2023-02-02	State Final Release
All rights reserved Department EL PD		Title Han K 8/24 Pos. F Insert Crimp				Doc-Key / ECM-Nr. 100089941/UGD/005/B 500000236606	
HARTING D-32339 Espelkamp		Type TB	Number 09 38 032 3101			Rev. B	Page 1/1