

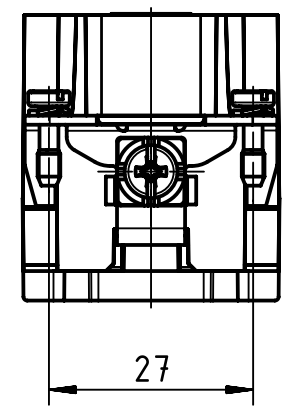
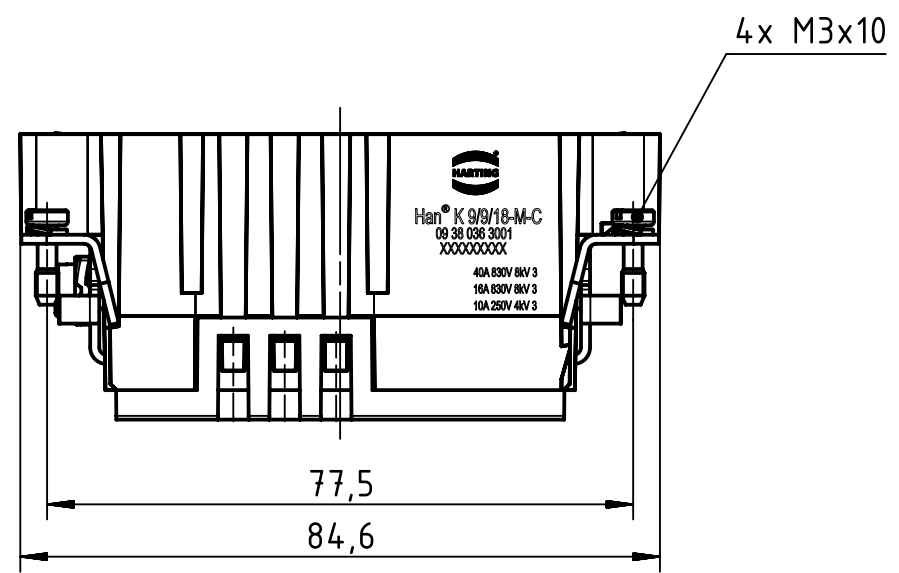
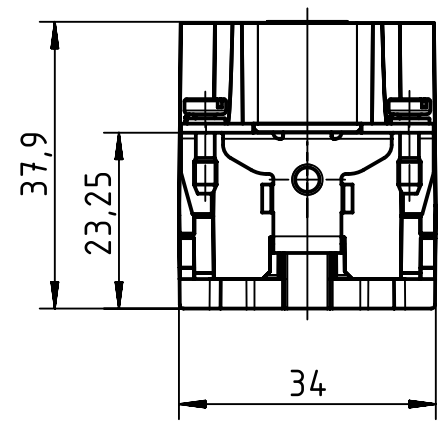
1 2 3 4 5 6

A

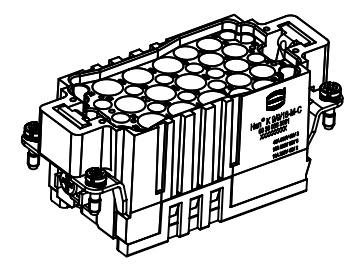
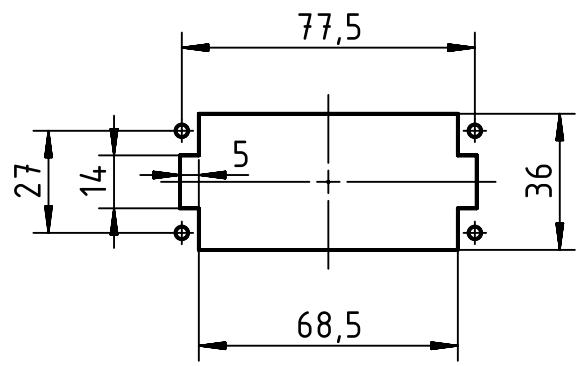
B

C

D



panel cut out
1:2



	All Dimensions in mm Original Size DIN A4		Scale 1:1	Free size tol.	Ref.
	All rights reserved Department EL PD		Created by MOELLERLI	Inspected by GIESBRECHT P	Standardisation GARSKE
HARTING Electric GmbH & Co. KG D-32339 Espelkamp		Title Han K 9/9/18-M-C			Date 2019-10-10
		Type TB			State Final Release
		Number 09 38 036 3001			Doc-Key / ECM-Nr. 100731928/UGD/001/E 500000158954
					Rev. E
					Page 1/1