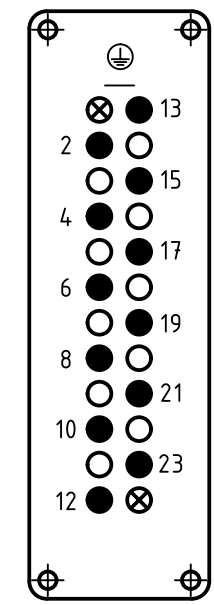
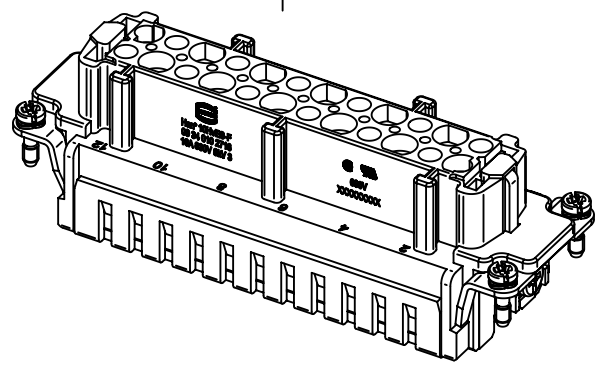
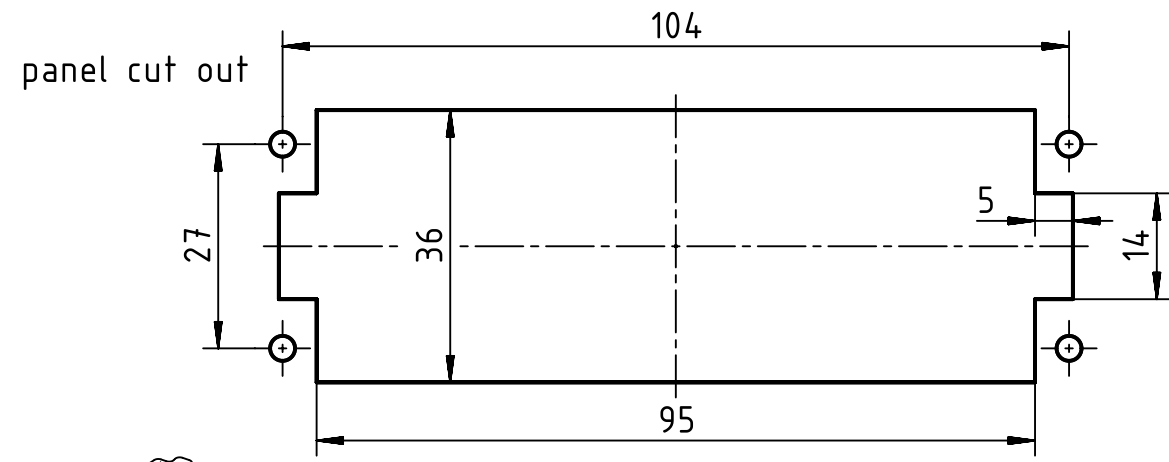


contact arrangement
(view from termination side)



- working contacts
- ⊗ coding elements
- without contacts



	All Dimensions in mm Original Size DIN A4		Scale 1:1	Free size tol.		Ref.
	All rights reserved Department EL PD - DE		Created by KLASSEN P	Inspected by BERGHORN	Standardisation RUETERA	Sub.
HARTING Electric GmbH & Co. KG D-32339 Espelkamp			Title Han HvES 10 Pos. F Insert Cage Clamp Ter			Date 2017-04-13
			Type TB	Number 09 34 010 2716		State Final Release
						Doc-Key / ECM-Nr. 100122216/UGD/005/C 500000117434
						Rev. C
						Page 1/1