

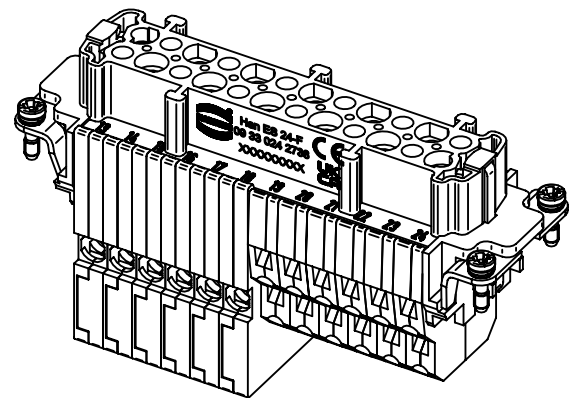
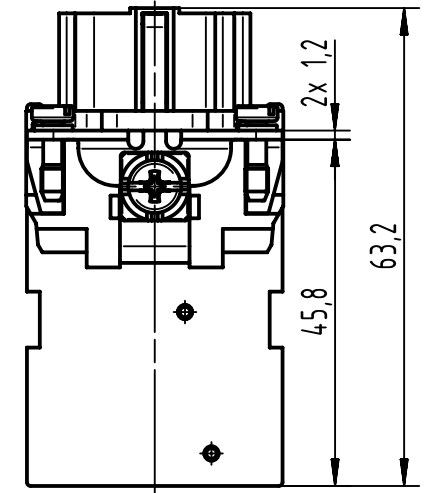
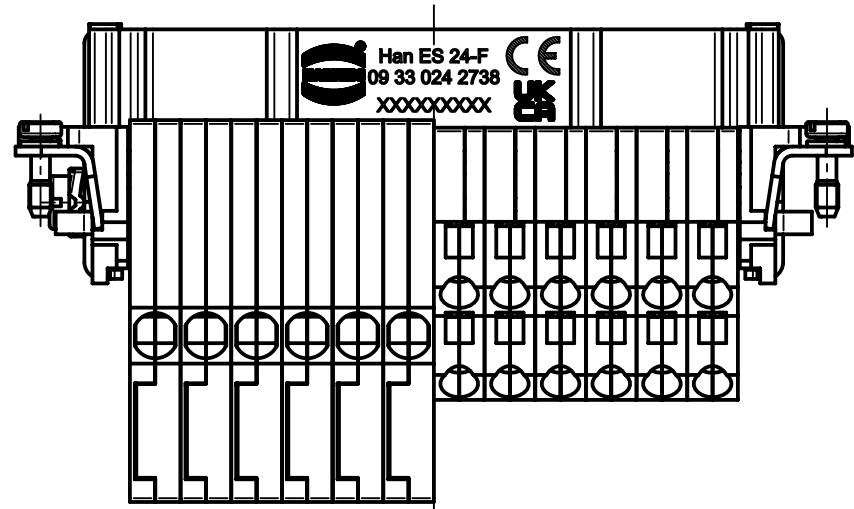
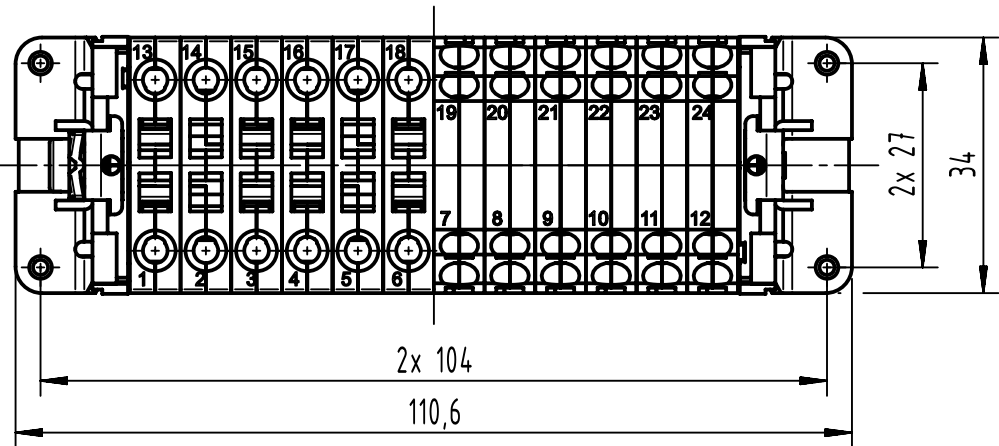
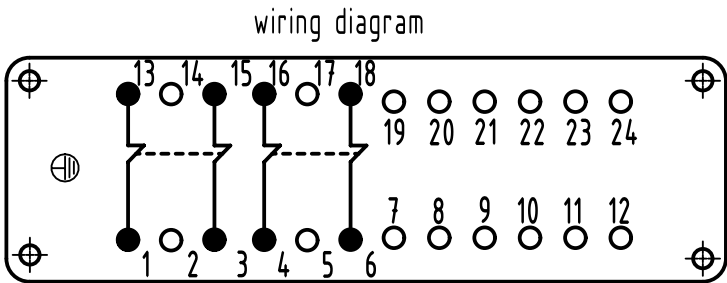
1 2 3 4 5 6

A

B

C

D



	All rights reserved Department EL PD	Created by BALSAN	Inspected by 402602	Standardisation	Date 2021-11-05	State Final Release	
		Title Han 24ESS-F w. mech. Relay Contacts				Doc-Key / ECM-Nr. 100130047/UGD/004/D 500000204240	
HARTING D-32339 Espelkamp		Type TB	Number 09 33 024 2738			Rev. D	Page 1/1