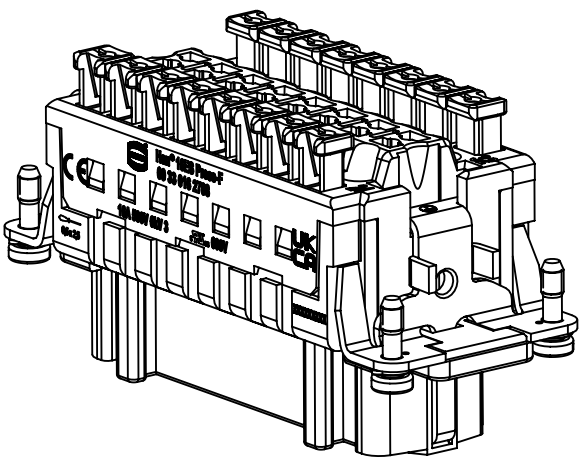
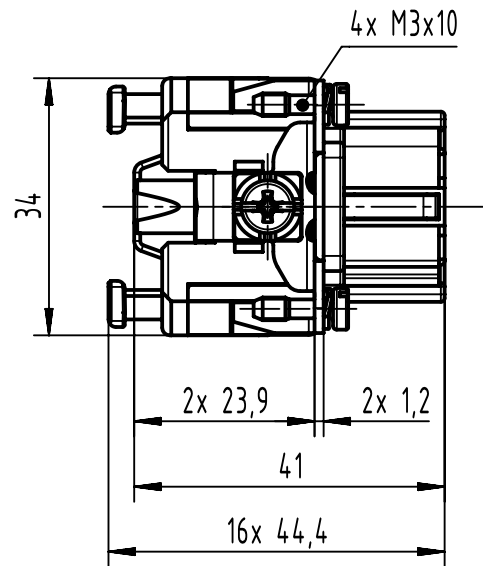
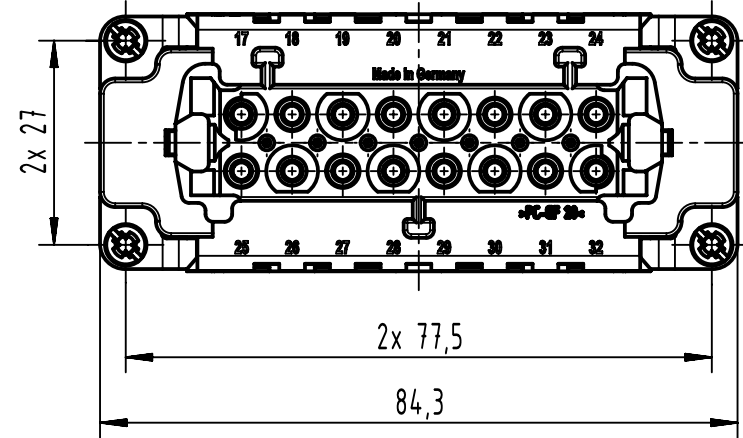
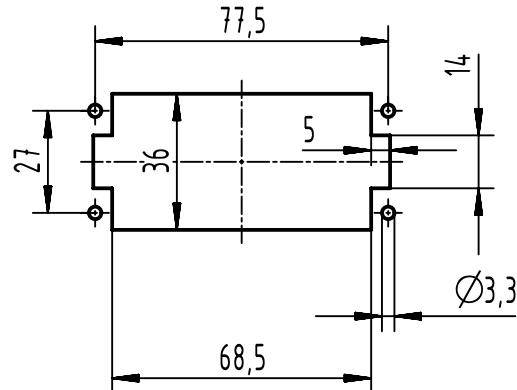


1 2 3 4 5 6

A  
B  
C  
D

panel cut out  
(1:2)



	All rights reserved Department EL PD	All Dimensions in mm Original Size DIN A4		Scale 1:1	Free size tol.	Ref. Sub.
		Created by SPRENB	Inspected by RUETERA	Standardisation SAP_WFRT	Date 2022-03-09	State Final Release
HARTING D-32339 Espelkamp		Title Han 16ES Press - F (17-32)			Doc-Key / ECM-Nr. 100680865/UGD/001/F 500000212394	
		Type TB	Number 09 33 016 2788		Rev. F	Page 1/1