

1 2 3 4 5 6

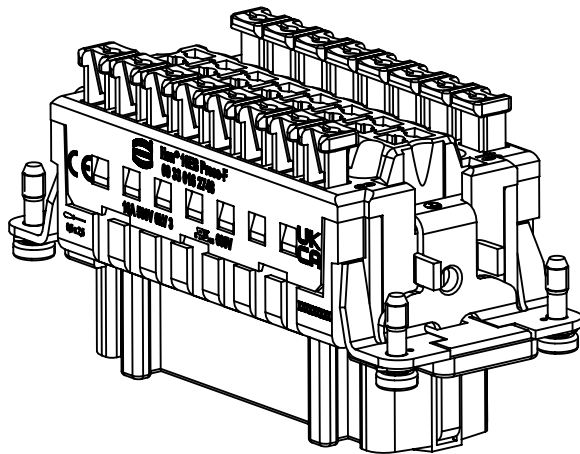
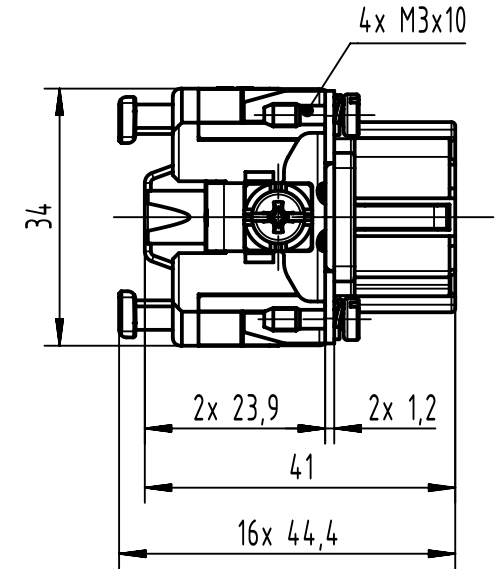
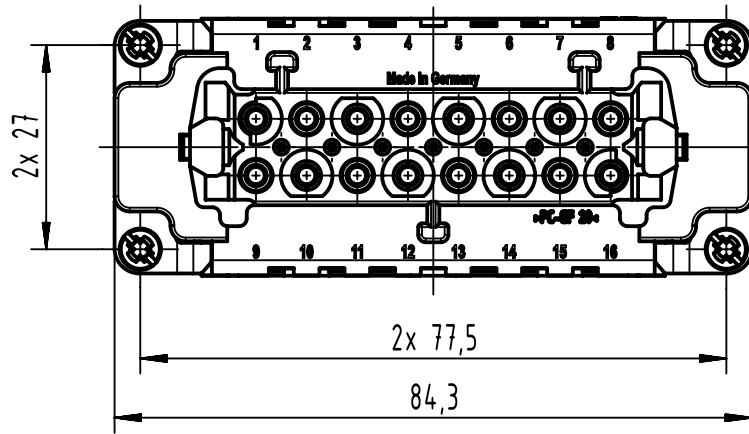
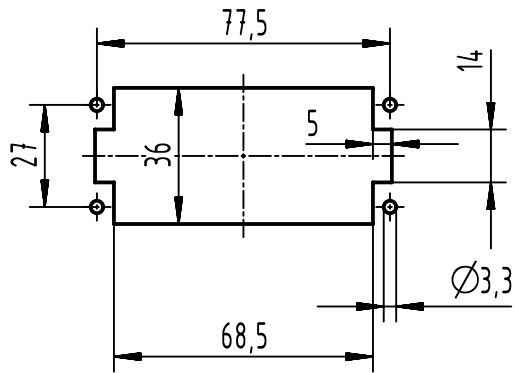
A

B

C

D

panel cut out  
(1:2)



|                              |  |  |                           |                          |                             |  |
|------------------------------|--|--|---------------------------|--------------------------|-----------------------------|--|
|                              | All Dimensions in mm<br>Original Size DIN A4 |  | Scale<br>1:1              | Free size tol.           |                             | Ref.   |
|                              |  |  |                           |                          |                             | Sub.   |
|                              | All rights reserved                          |  | Created by<br>SPRENB      | Inspected by<br>RUETERA  | Standardisation<br>SAP_WFRT | Date<br>2022-03-09                                       |
|                              | Department EL PD                             |  |                           |                          |                             | State<br>Final Release                                   |
| HARTING<br>D-32339 Espelkamp |  |  | Title<br>Han 16ES Press-F |                          |                             | Doc-Key / ECM-Nr.<br>100616954/UGD/001/F<br>500000212394 |
|                              |  |  | Type<br>TB                | Number<br>09 33 016 2748 |                             | Rev.<br>F  |
|                              |  |  |                           |                          |                             | Page<br>1/1  |