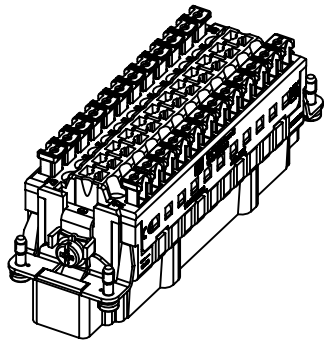
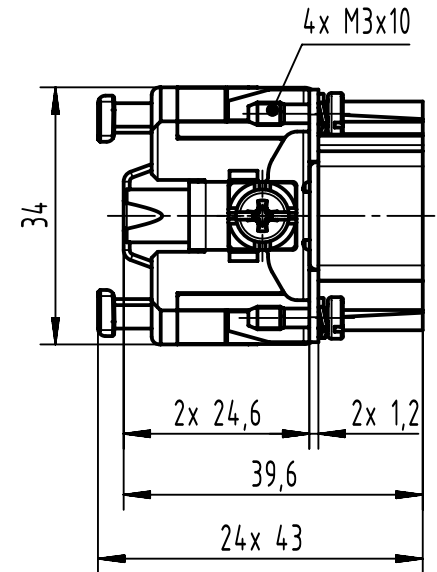
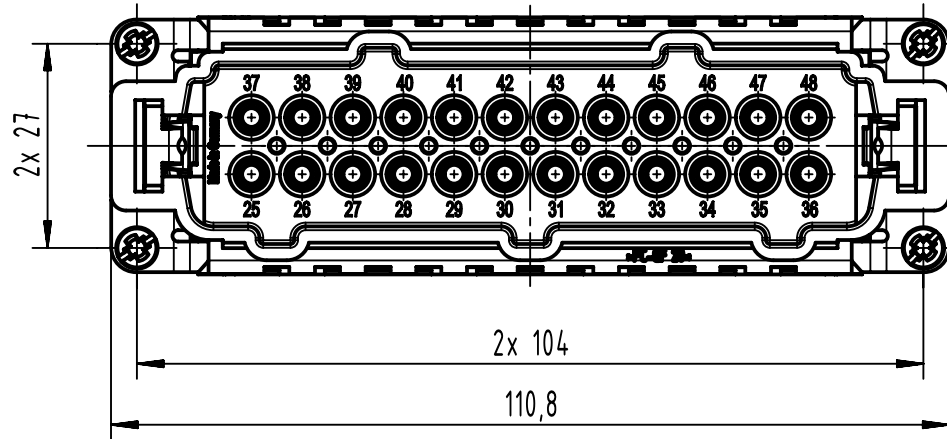
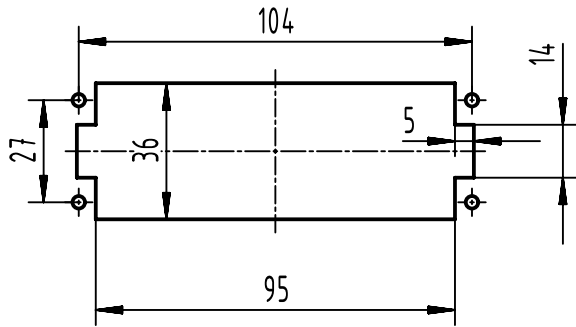


panel cut out
(1:2)



| | | | | | | |
|---|--|-------------------------------------|----------------------|--------------------------|-----------------------------|--|
| | All Dimensions in mm Original Size DIN A4 | | Scale 1:1 | Free size tol. | | Ref. |
| | | | Created by SPRENB | Inspected by RUETERA | Standardisation SAP_WFRT | Sub. |
| All rights reserved Department EL PD | | Title Han 24ES Press - M (25-48) | | Date 2022-03-14 | | State Final Release |
| HARTING D-32339 Espelkamp | | Type TB | | Number 09 33 024 2688 | | Doc-Key / ECM-Nr. 100680954/UGD/002/F 500000213238 |
| | | | | | | Rev. F |
| | | | | | | Page 1/1 |