

1 2 3 4 5 6

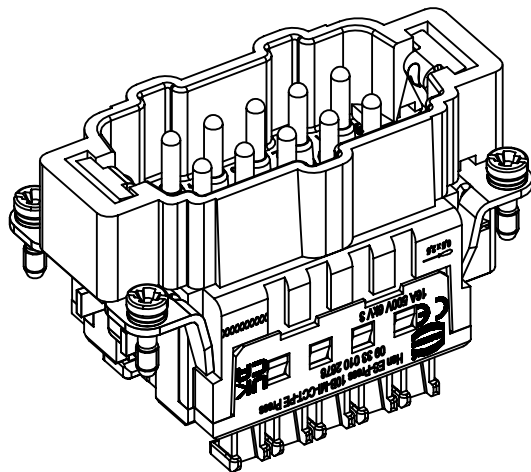
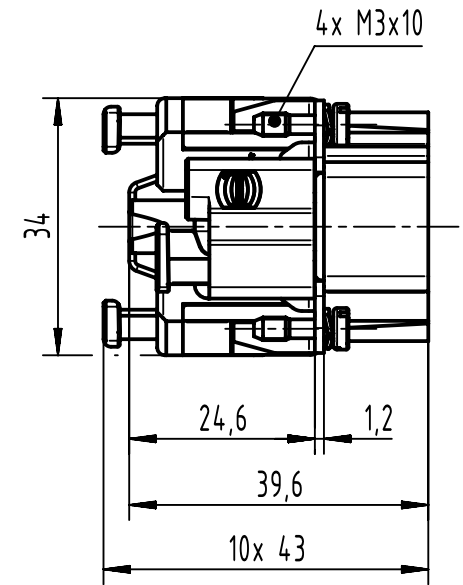
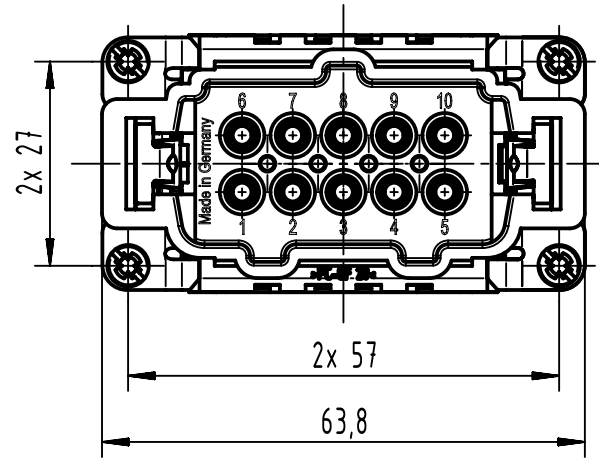
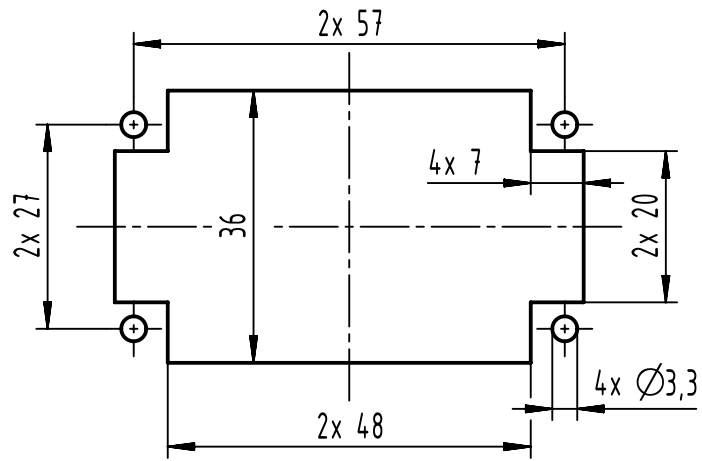
A

B

C

D

panel cut out



	All rights reserved Department EL PD	All Dimensions in mm Original Size DIN A4		Scale 1:1	Free size tol.	Ref. Sub.	
		Created by LONGL	Inspected by DINGB	Standardisation ROEBEN	Date 2022-05-24	State Final Release	
HARTING D-32339 Espelkamp		Title Han 10ES-Press-SMC-MI-CCT-PE Press				Doc-Key / ECM-Nr. 100923018/UGD/001/D 500000218196	
		Type TB	Number 09 33 010 2678			Rev. D	Page 1/1