

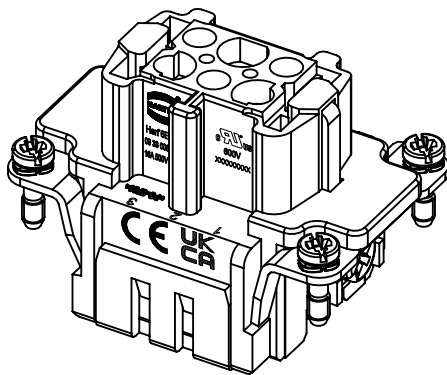
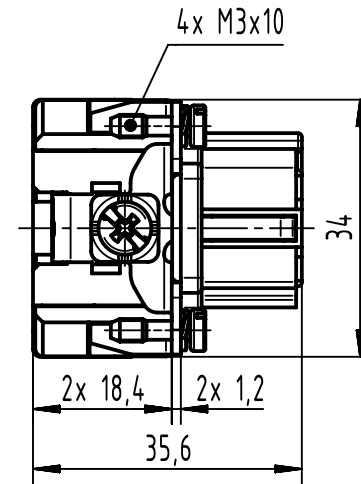
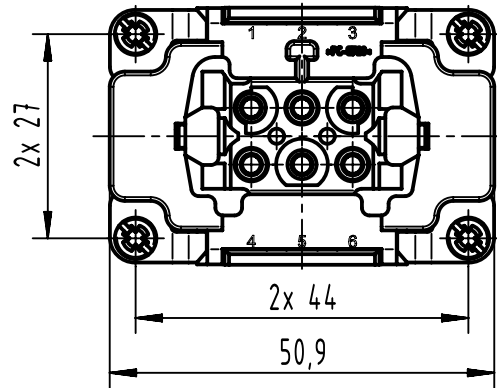
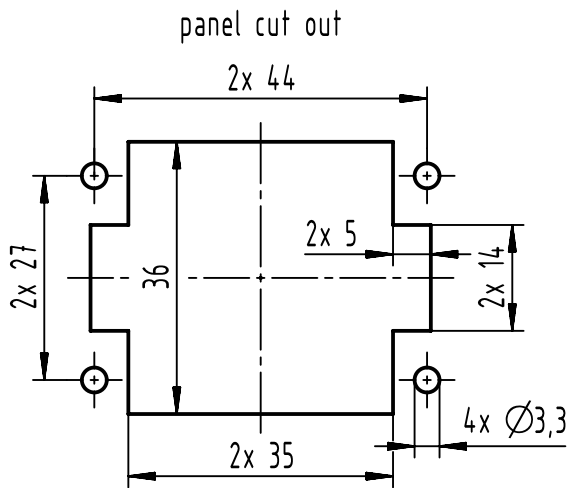
1 2 3 4 5 6

A

B

C

D



	All Dimensions in mm Original Size DIN A4		Scale 1:1	Free size tol.		Ref.	
						Sub.	
	All rights reserved		Created by SPRENB	Inspected by SCHNIEDER	Standardisation SAP_WFRT	Date 2022-06-23	State Final Release
	Department EL PD		Title Han 6 ES-Female insert			Doc-Key / ECM-Nr. 100129977/UGD/005/C 500000218534	
HARTING D-32339 Espelkamp			Type TB	Number 09 33 006 2716		Rev. C	Page 1/1