

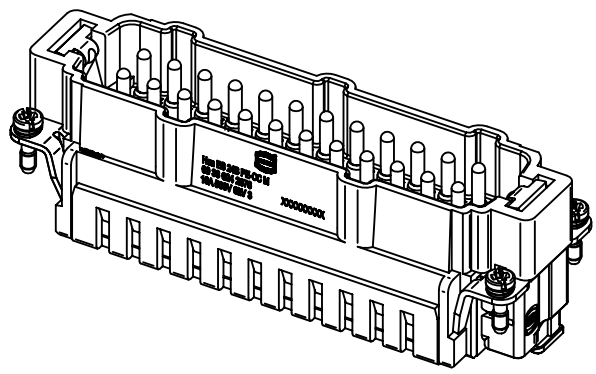
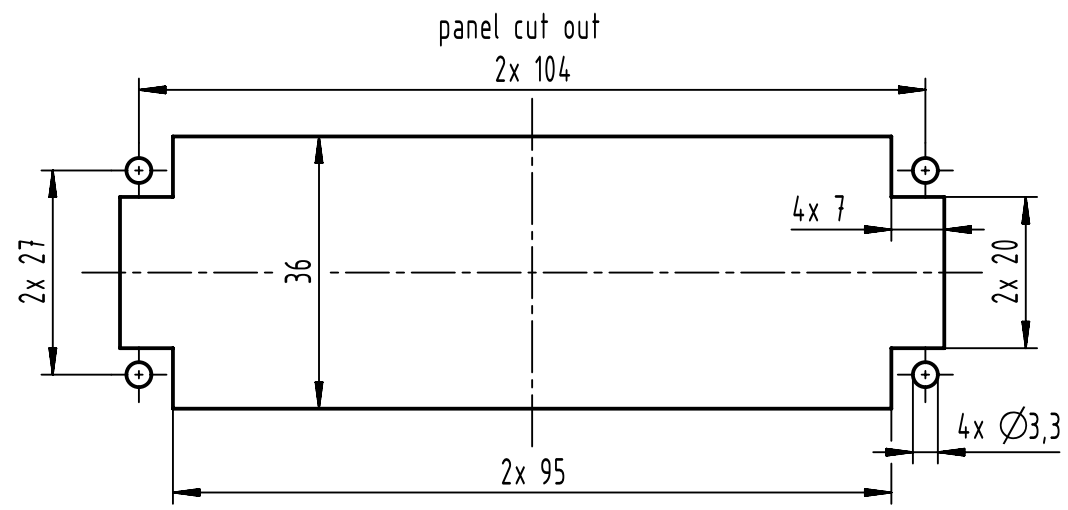
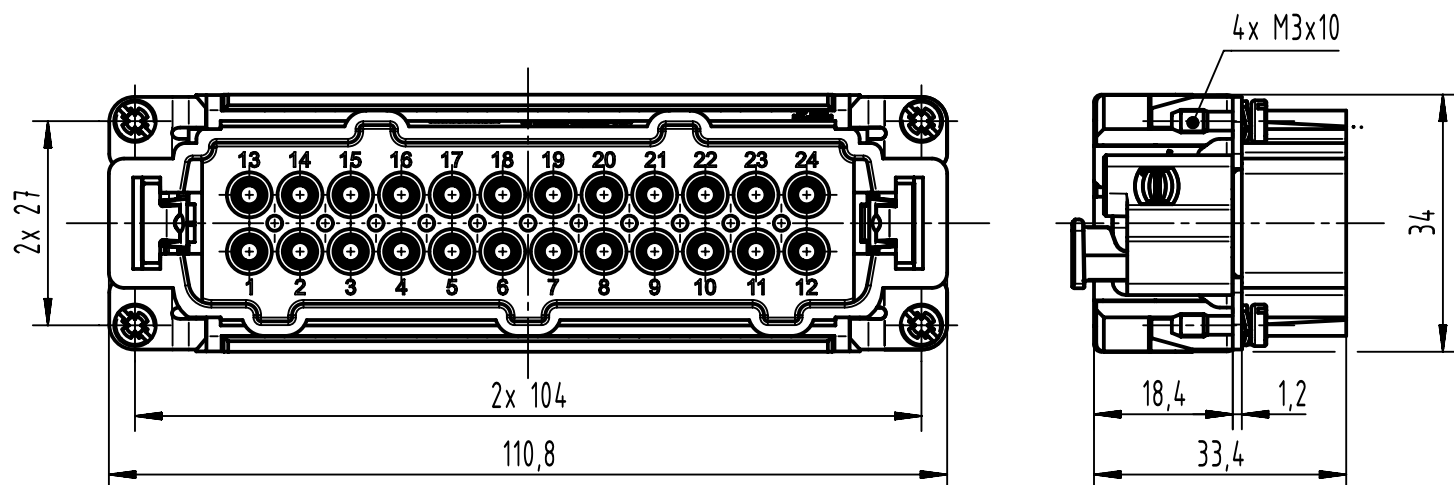
1 2 3 4 5 6

A

B

C

D



| | | | | | | | |
|------------------------------|--|--|--------------------------------|--------------------------|----------------------------|---|------------------------|
| | All Dimensions in mm Original Size DIN A4 | | Scale 1:1 | Free size tol. | | Ref. | |
| | All rights reserved Department EL PD | | Created by HEW | Inspected by DINGB | Standardisation RUETERA | Date 2021-10-29 | State Final Release |
| HARTING D-32339 Espelkamp | | | Title Han ES 24B PE-CC Male | | | Doc-Key / ECM-Nr. 100922779/UGD/005/B 500000204.777 | |
| | | | Type TB | Number 09 33 024 2676 | | Rev. B | Page 1/1 |