

Ø4,1

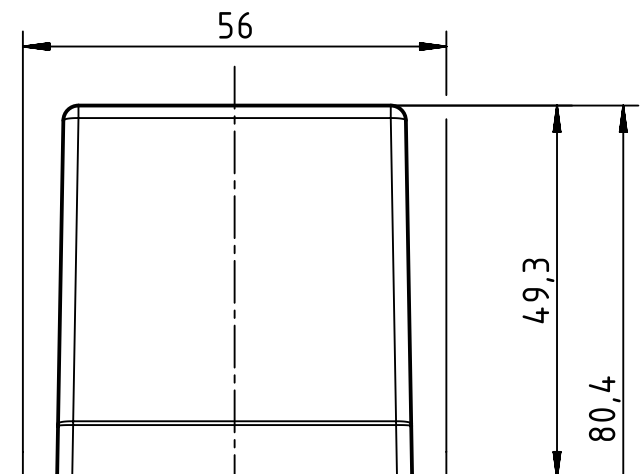
5,5

seal

89,5

104

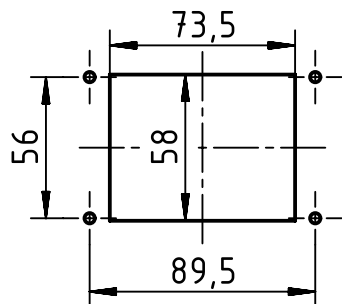
gasket



8,7

70,5

panel cut out (1:3)



	All Dimensions in mm Original Size DIN A4		Scale 1:1	Free size tol.		Ref.	
	All rights reserved		Created by LONGL	Inspected by HEW	Standardisation RUETERA	Sub.	
Department EL PD		Title Han 6B HTE M32 PFT SL		Date 2018-05-25	State Final Release		
HARTING (Zhuhai) Manufacturing Co., Ltd. 519085 Zhuhai, China		Type TB	Number 19 30 006 1122		Doc-Key / ECM-Nr. 100722306/UGD/001/B 500000135509	Rev. B	Page 1/1