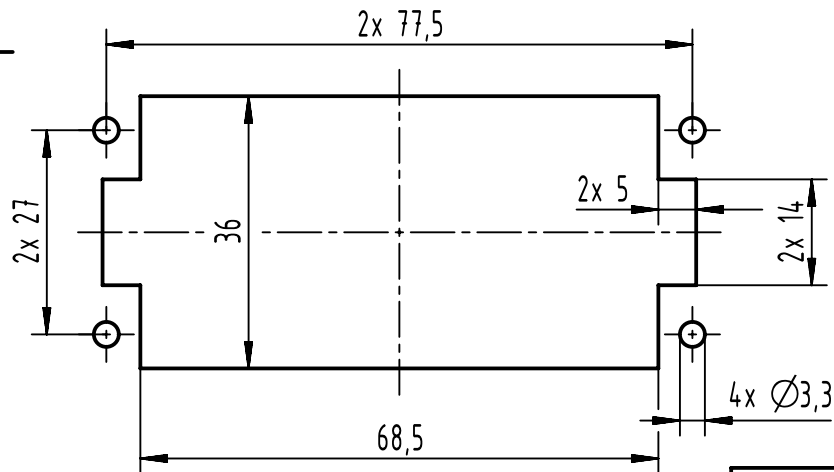
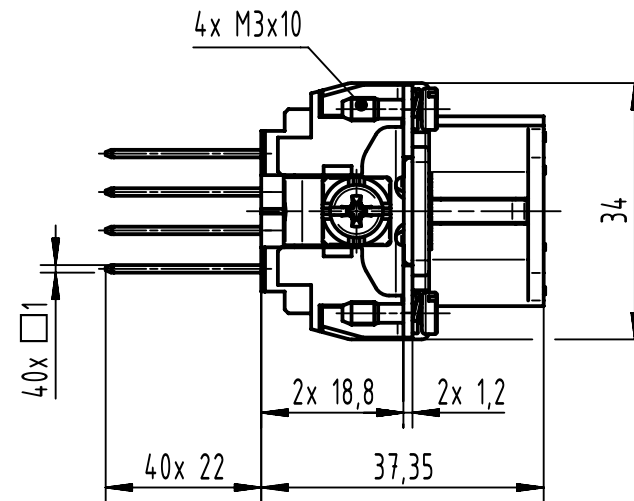
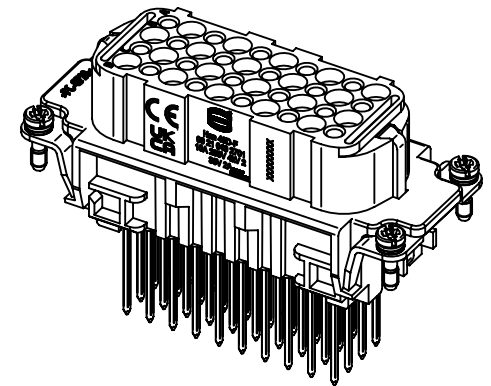


panel cut out



screen line distance between the contacts: 5,08 mm



	All Dimensions in mm Original Size DIN A4	Scale 1:1	Free size tol.		Ref.
	All rights reserved Department EL PD	Created by BALSAN	Inspected by 402602	Standardisation SAP_WFRT	Sub.
HARTING D-32339 Espelkamp	Title Han D 40 Pos. F Insert Wire Wrap	Date 2022-08-25	State Final Release	Doc-Key / ECM-Nr. 100087622/UGD/005/C 500000224.182	
	Type TB	Number 09 21 040 2701	Rev. C	Page 1/1	