

1 2 3 4 5 6

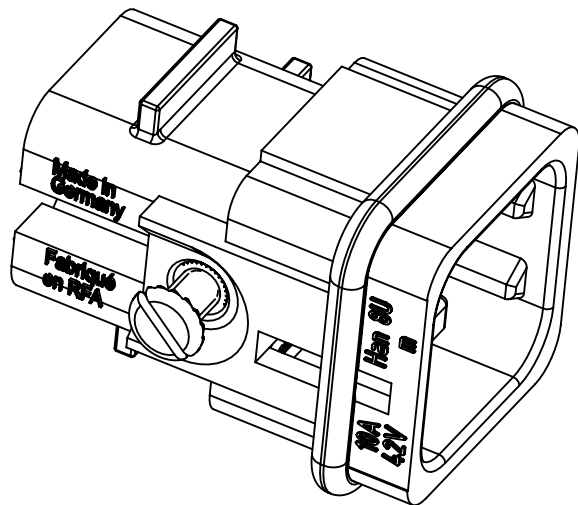
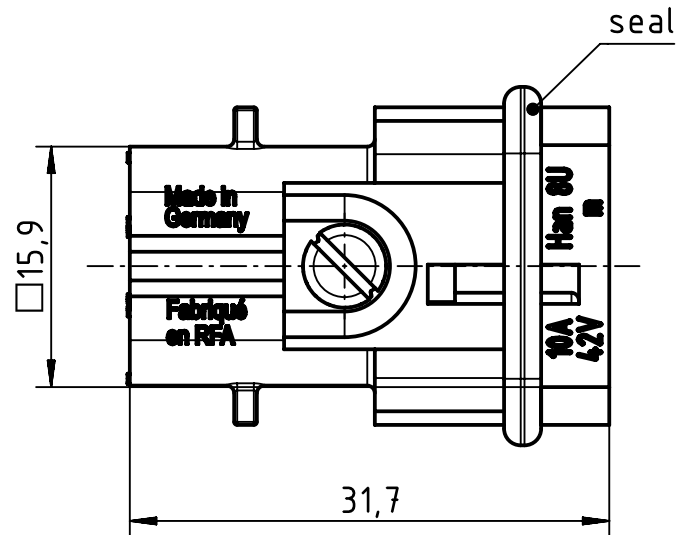
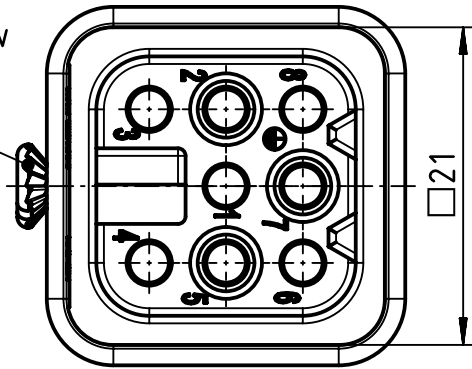
A


B

C

D

insert fixing screw  
is enclosed



	All rights reserved Department EL PD		Created by HELLMANN		Inspected by RIEPE		Standardisation RUETERA		Date 2020-05-14		State Final Release	
	HARTING Electric GmbH & Co. KG D-32339 Espelkamp		Title Han 8U-M		Type TB		Number 09 36 008 3001		Doc-Key / ECM-Nr. 100123817/UGD/005/A 500000171673		Rev. A	