

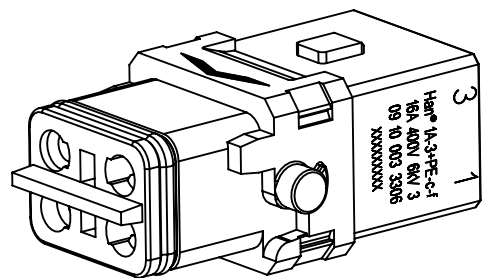
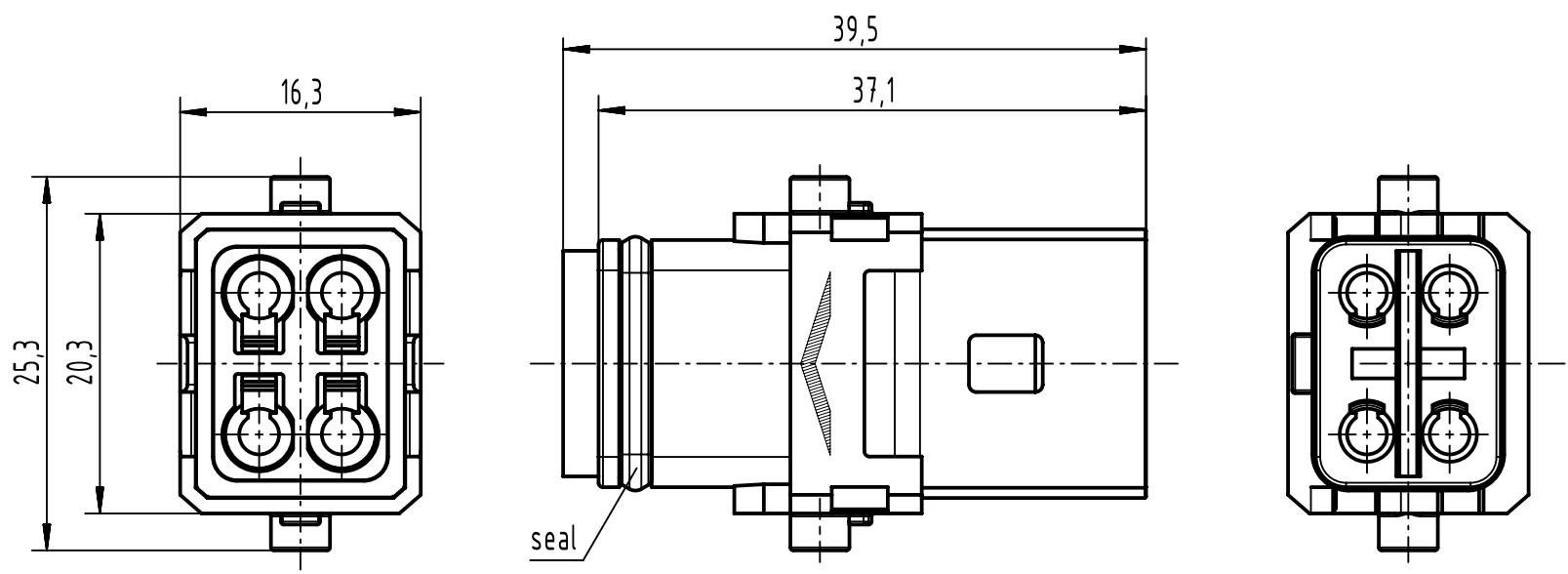
1 2 3 4 5 6

A

B

C

D



	All Dimensions in mm Original Size DIN A4		Scale 2:1	Free size tol.		Ref.
			Created by 00103428	Inspected by HERBRECHTSME	Standardisation	Sub.
All rights reserved Department EL PD		Title <b>Han 1A-3+PE-c-f</b>		Date 2021-07-27	State Final Release	
HARTING D-32339 Espelkamp		Type <b>TB</b>		Number <b>09 10 003 3306</b>		Doc-Key / ECM-Nr. 100760818/UGD/001/E 500000196013
					Rev. <b>E</b>	Page 1/1