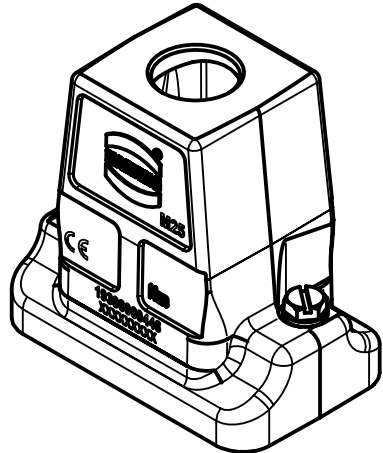
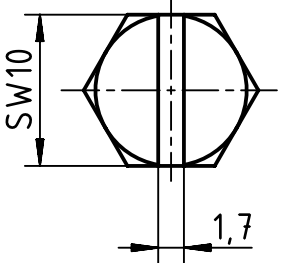


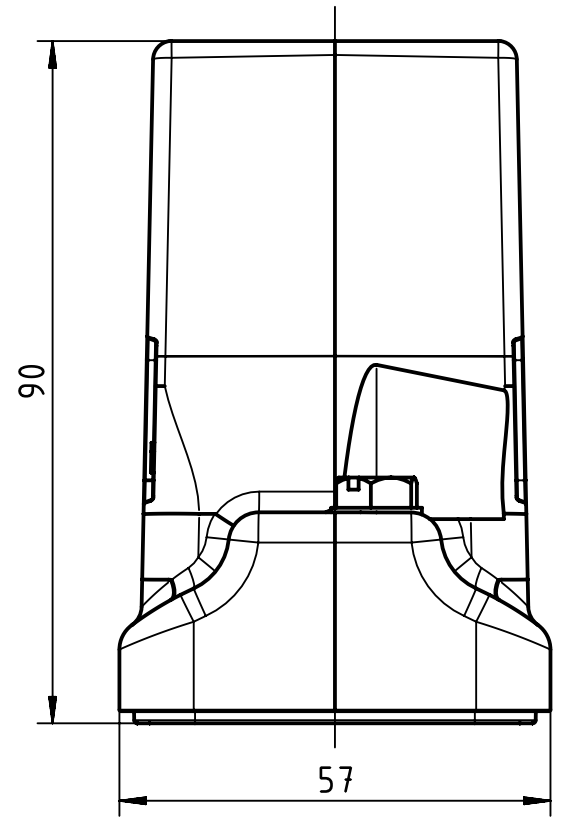
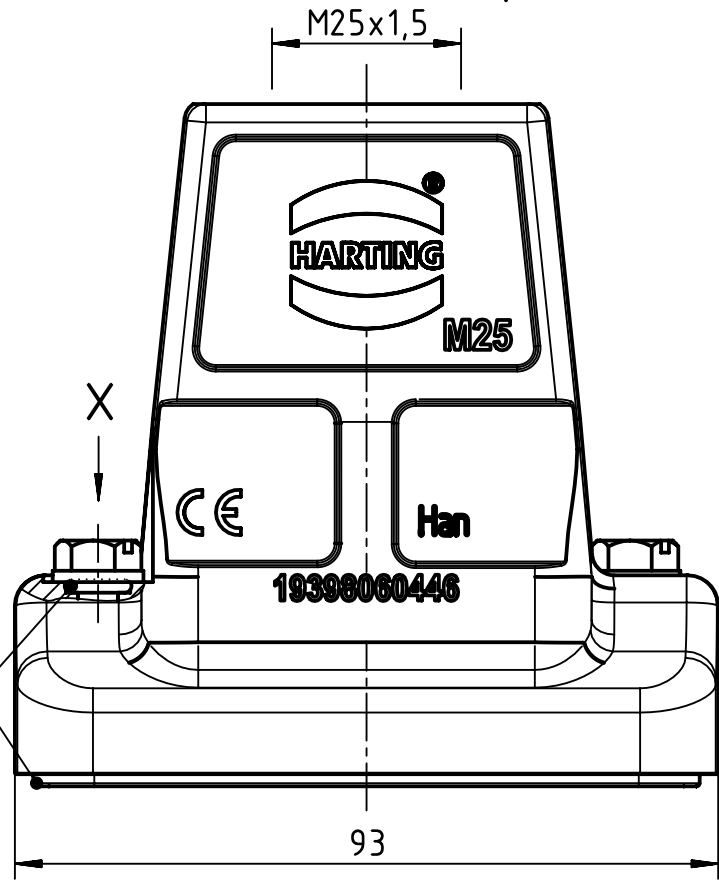
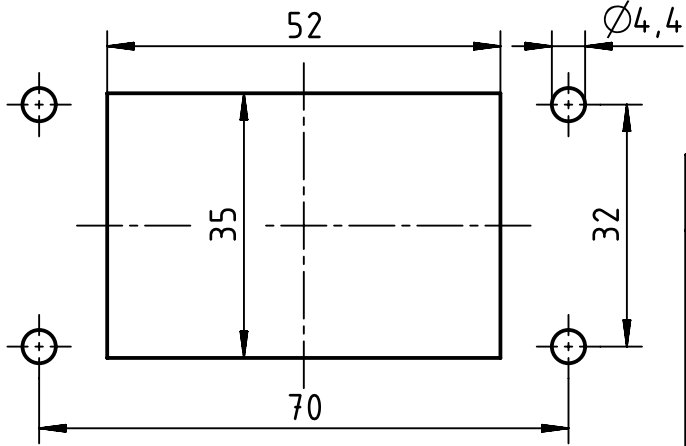
1 2 3 4 5 6



X (2:1)



Panel cut out



	All Dimensions in mm Original Size DIN A4		Scale 1:1		Free size tol.		Ref.			
	All rights reserved Department EL PD		Created by ZHUANGJ		Inspected by LUOK		Standardisation 302077			
HARTING (Zhuhai) Manufacturing Co., Ltd. 519085 Zhuhai, China			Title Han 6HP Direct/EMV-HTE-M25				Date 2021-02-23		State Final Release	
			Type TB				Number 19 39 806 0446			
							Doc-Key / ECM-Nr. 100664940/UGD/002/F 500000187461		Rev. F	
							Page 1/1			