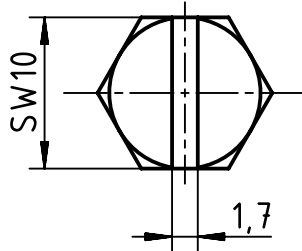
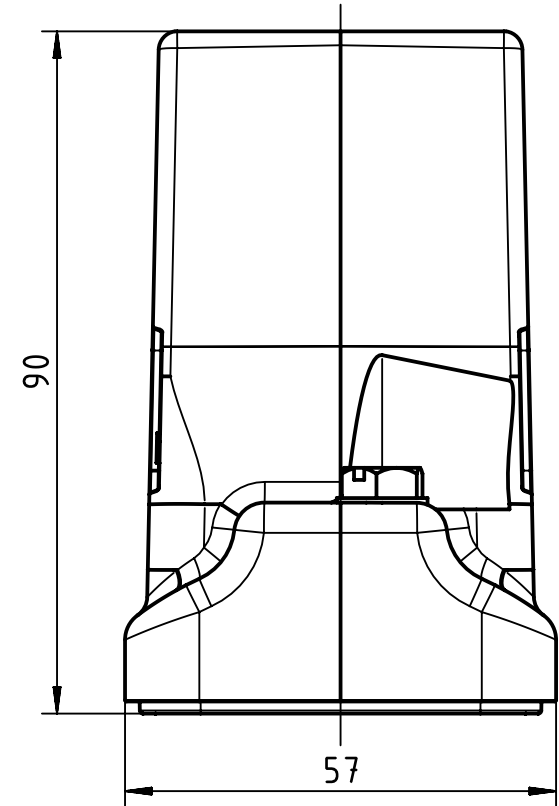
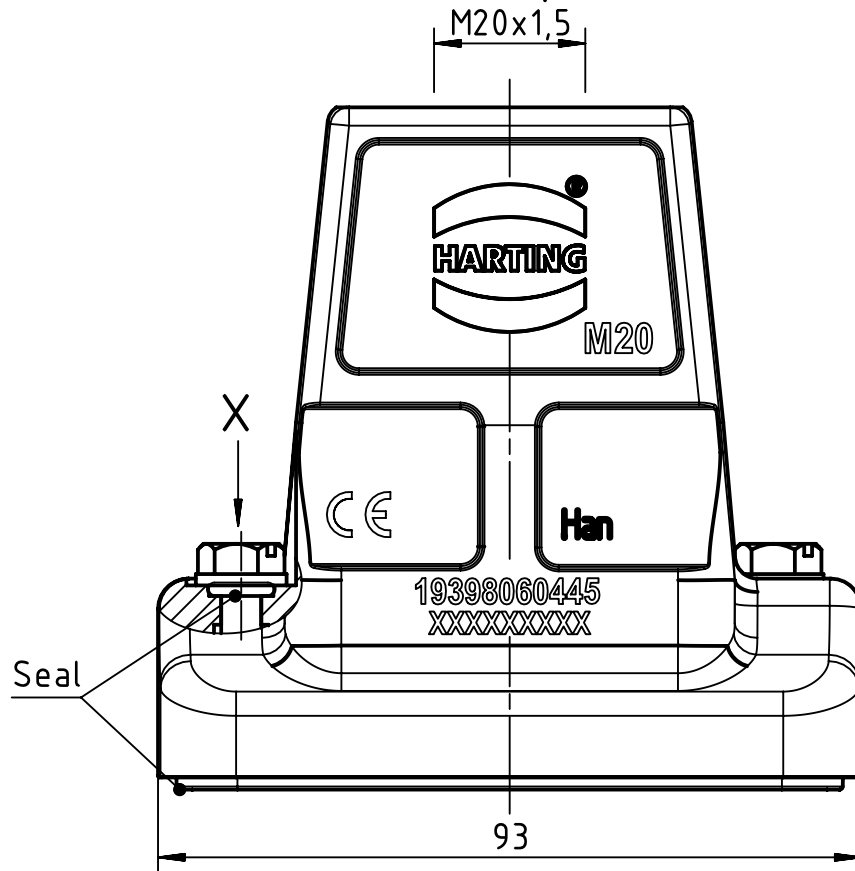
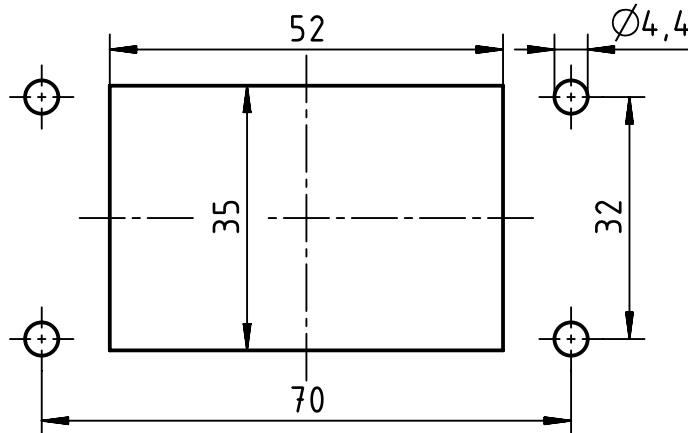


X (2:1)



Panel cut out



	All Dimensions in mm Original Size DIN A4		Scale 1:1	Free size tol.		Ref.
	All rights reserved Department EL PD		Created by ZHUANGJ	Inspected by LUOK	Standardisation 302077	Sub.
HARTING (Zhuhai) Manufacturing Co., Ltd. 519085 Zhuhai, China			Title Han 6HP Direct/EMV-HTE-M20		Date 2021-02-23	State Final Release
				Type TB	Number 19 39 806 0445	Doc-Key / ECM-Nr. 100664940/UGD/003/F 500000187461
					Rev. F	Page 1/1