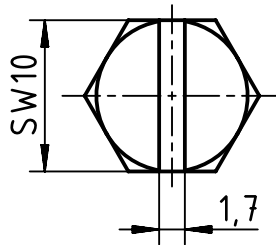
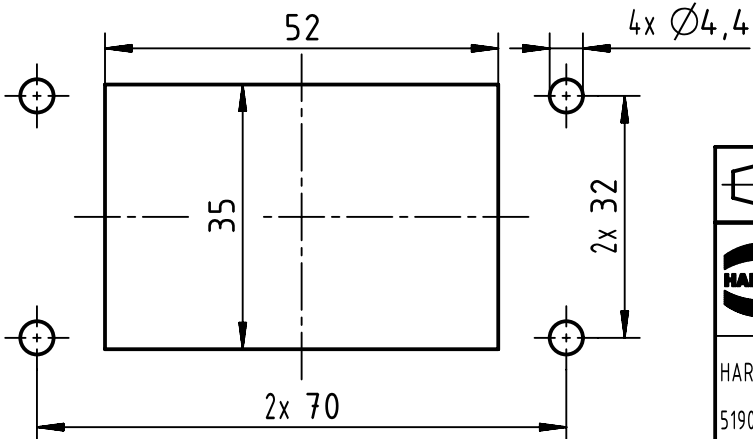
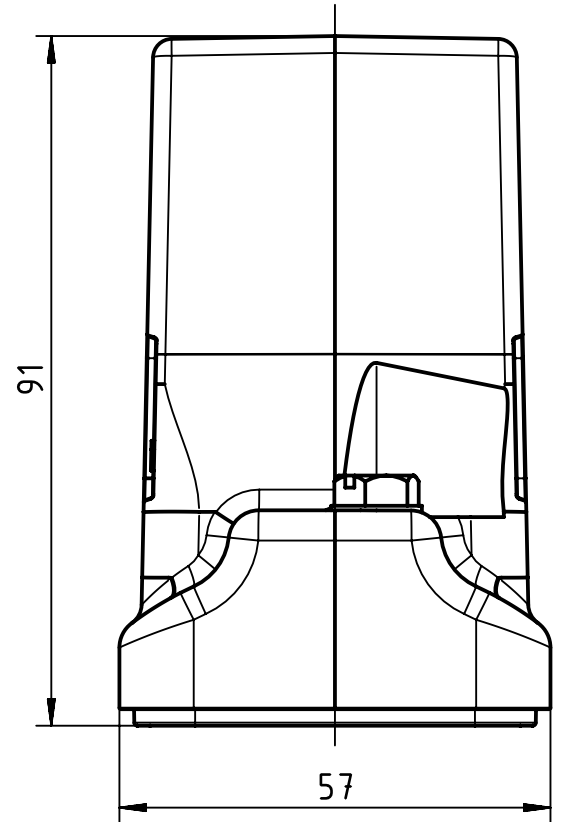
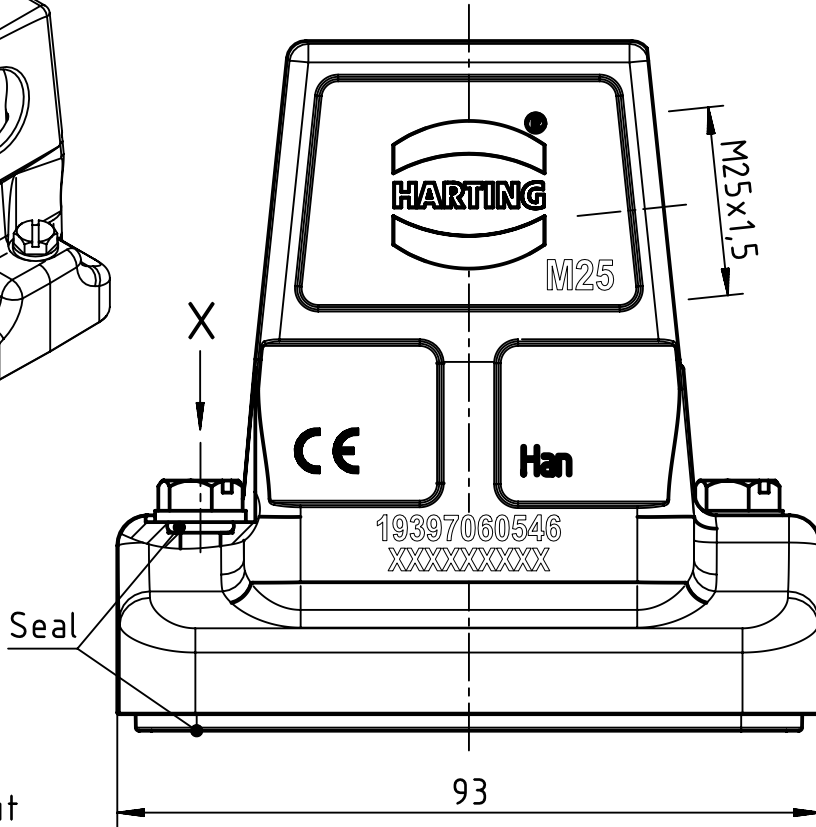



X (2:1)



Panel cut out



	All Dimensions in mm Original Size DIN A4		Scale 1:1		Free size tol.		Ref.		
	All rights reserved		Created by ZHUANGJ		Inspected by LUOK		Standardisation ROEBEN		
Department EL PD		Date 2021-11-19		State Final Release		Doc-Key / ECM-Nr. 100664129/UGD/002/F 500000192069			
HARTING (Zhuhai) Manufacturing Co., Ltd. 519085 Zhuhai, China		Title Han 6HP Direct/M-HSE-M25		Type TB		Number 19 39 706 0546		Rev. F	Page 1/1