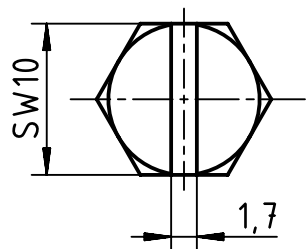
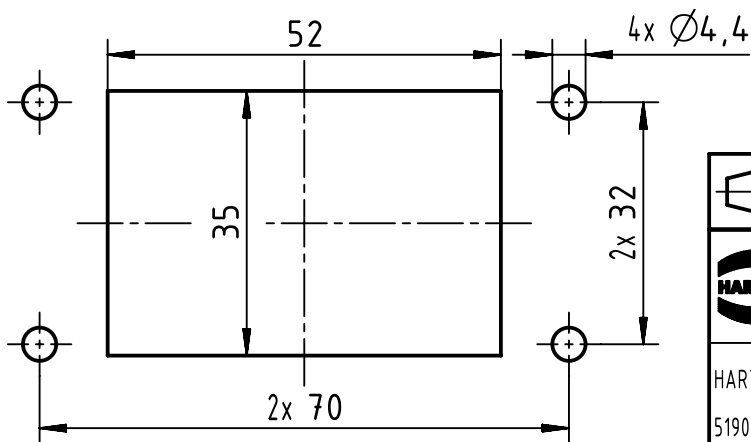
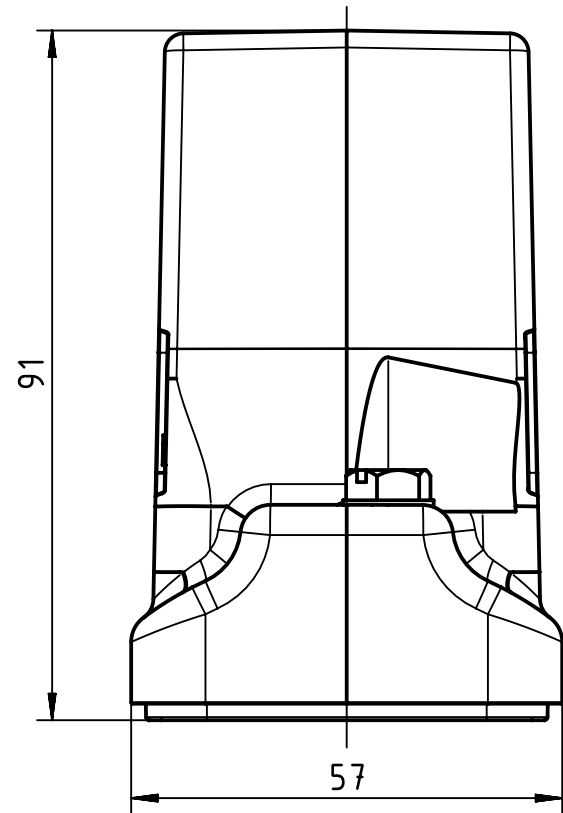
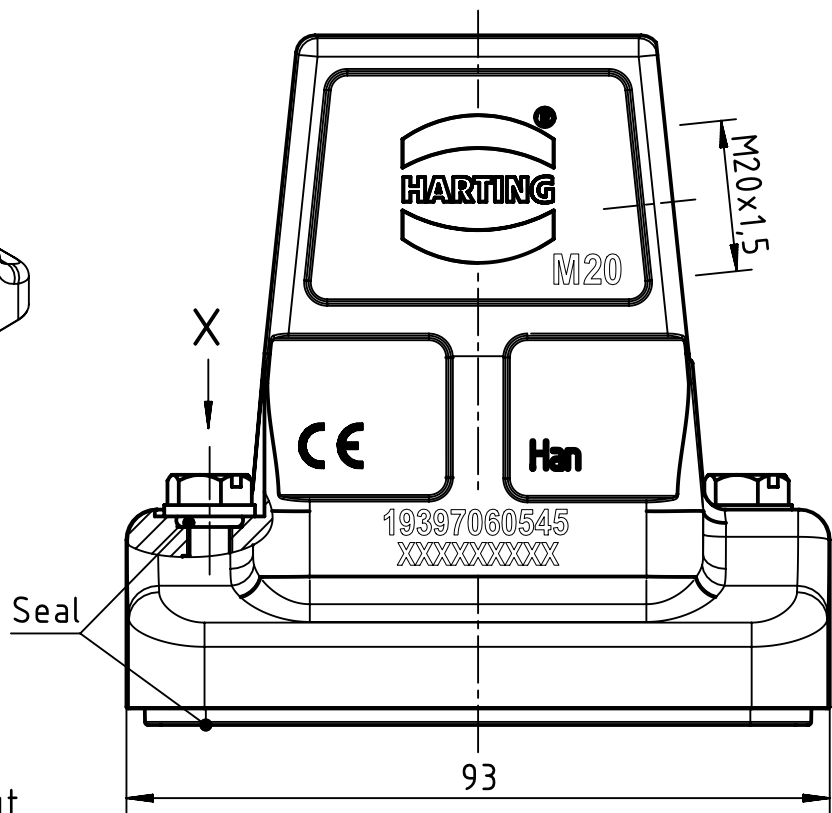


X (2:1)



Panel cut out



	All rights reserved		Created by ZHUANGJ		Inspected by LUOK		Standardisation ROEBEN		Date 2021-11-19		State Final Release	
	Department EL PD		Title Han 6HP Direct/M-HSE-M20		Doc-Key / ECM-Nr. 100664129/UGD/003/F 500000192069		Rev. F		Page 1/1			
			HARTING (Zhuhai) Manufacturing Co., Ltd. 519085 Zhuhai, China			All Dimensions in mm Original Size DIN A4			Scale 1:1 Free size tol.		Ref. Sub.	