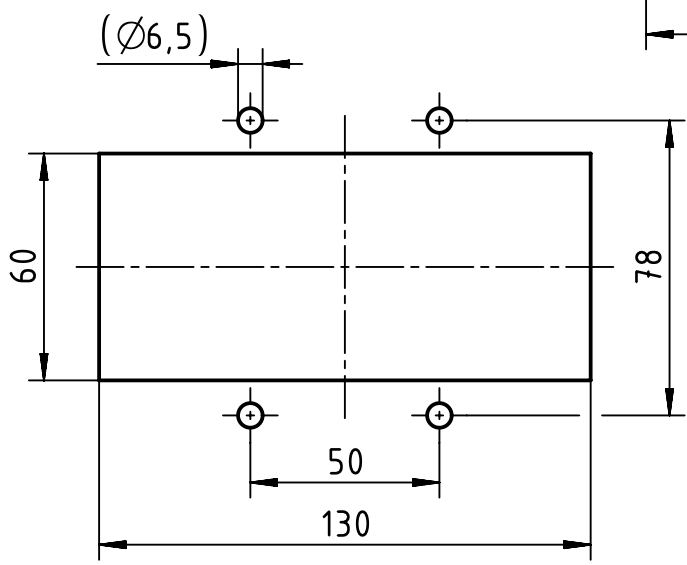


panel cut out (1:2)



	All rights reserved Department EL PD	All Dimensions in mm Original Size DIN A4		Scale 1:2	Free size tol.	Ref.	
		Created by ZHUANGJ	Inspected by LUOK	Standardisation 302077	Date 2021-02-23	State Final Release	
HARTING D-32339 Espelkamp		Title Han 16HP Direct/EMC-PFT-Housing-SE-M63				Doc-Key / ECM-Nr. 100746637/UGD/001/D 500000187461	
		Type TB	Number 19 39 816 1135			Rev. D	Page 1/1