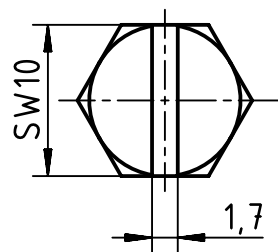
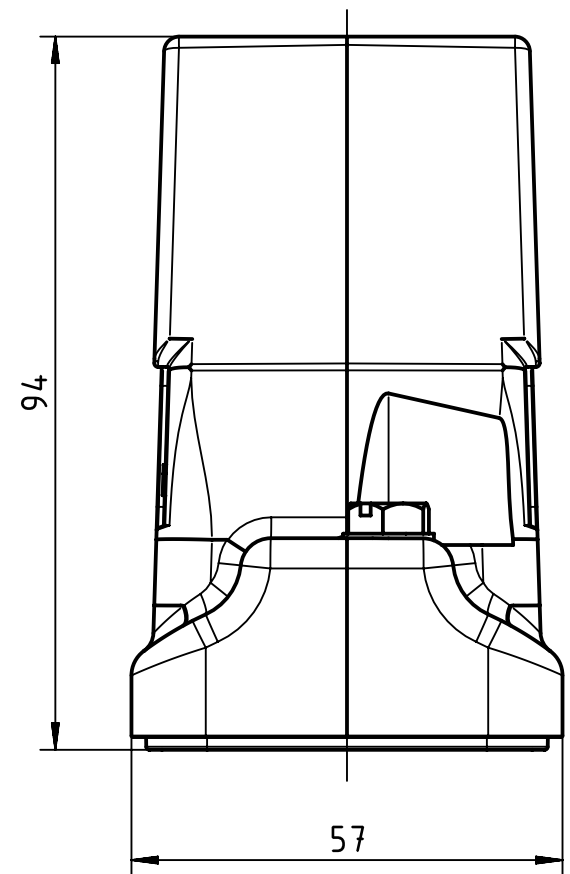
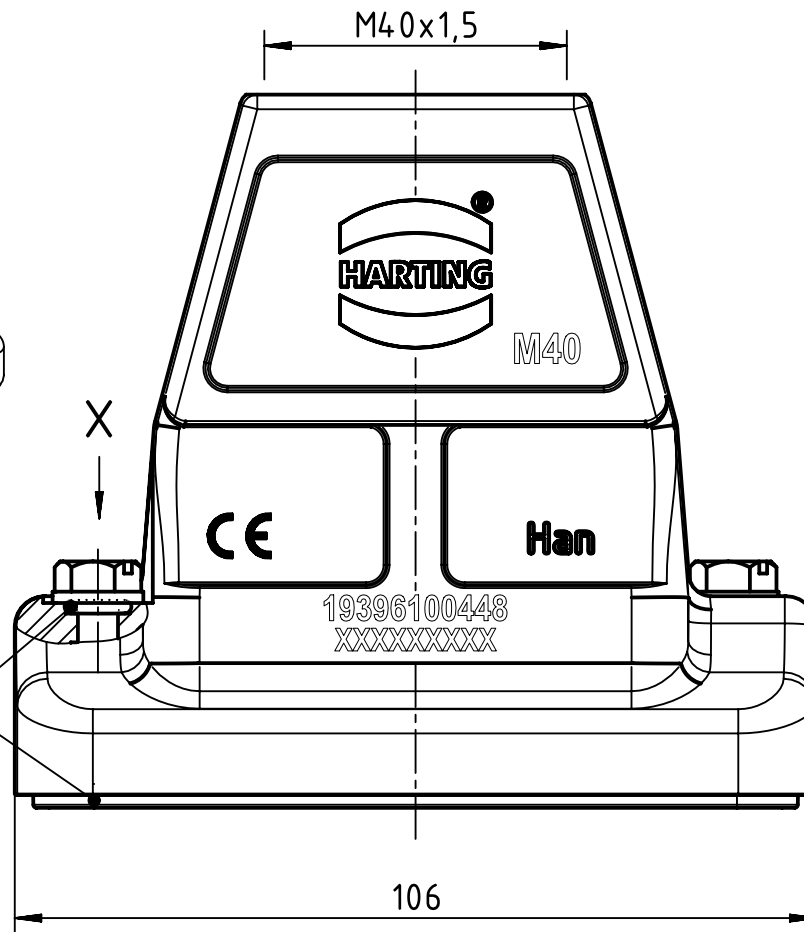


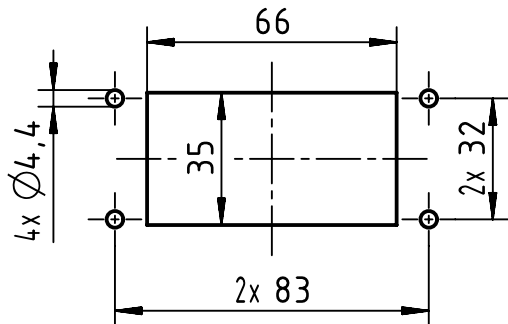
X (2:1)



Seal



Panel cut out (1:2)



	All Dimensions in mm Original Size DIN A4		Scale 1:1	Free size tol.		Ref.
	All rights reserved		Created by ZHUANGJ	Inspected by LUOK	Standardisation ROEBEN	Sub.
Department EL PD		Title Han 10HP Direct/B-HTE-M40		Date 2021-12-02	State Final Release	
HARTING (Zhuhai) Manufacturing Co., Ltd. 519085 Zhuhai, China		Type TB	Number 19 39 610 0448		Doc-Key / ECM-Nr. 100632975/UGD/005/G 500000194824	Rev. G
						Page 1/1