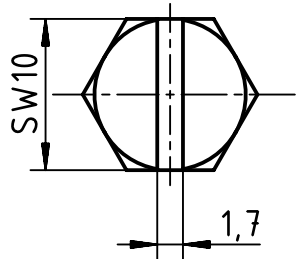
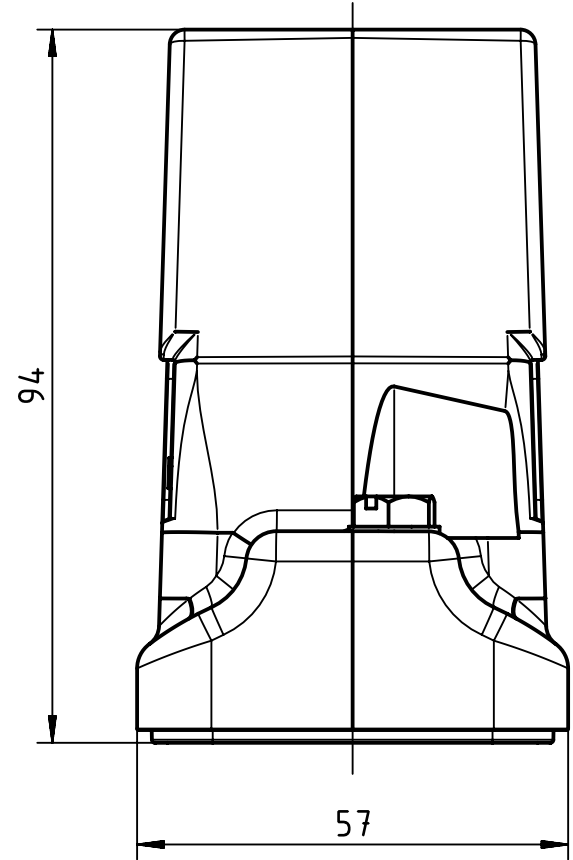
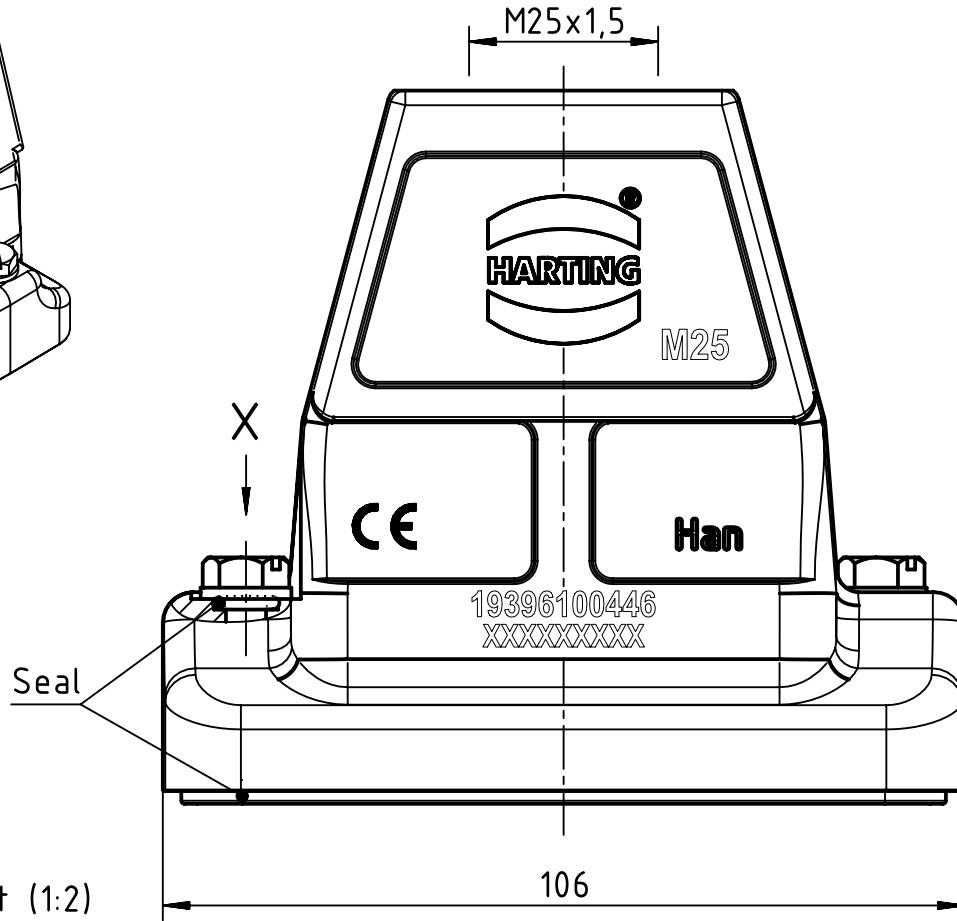
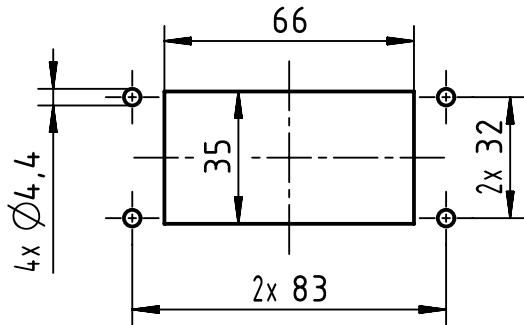
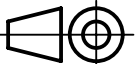



X (2:1)



Panel cut out (1:2)



 All Dimensions in mm Original Size DIN A4		Scale 1:1	Free size tol.		Ref.
 All rights reserved Department EL PD		Created by ZHUANGJ	Inspected by LUOK	Standardisation ROEBEN	Date 2021-12-02
HARTING (Zhuhai) Manufacturing Co., Ltd. 519085 Zhuhai, China		Title Han 10HP Direct/B-HTE-M25			State Final Release
		Type TB	Number 19 39 610 0446		Doc-Key / ECM-Nr. 100632975/UGD/003/G 500000194824
					Rev. G
					Page 1/1